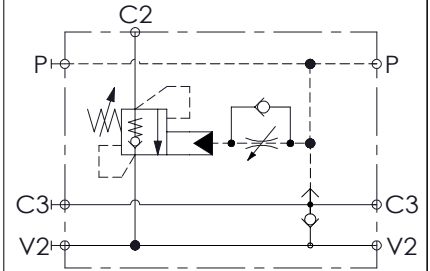
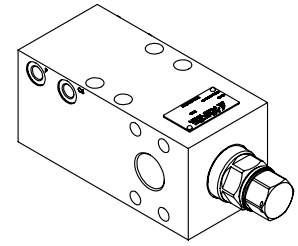
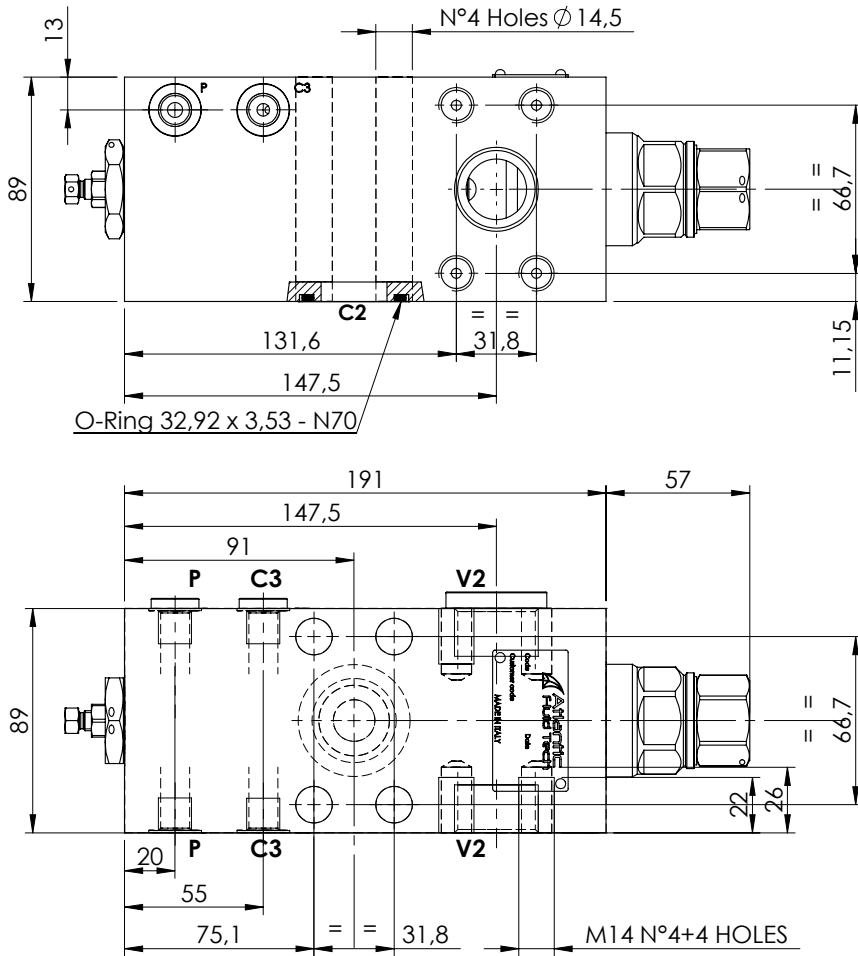


**VALVES FOR WINCHES**

**MBSN-300-AMSF**

**SINGLE ACTING  
WITH BRAKE RELEASE**

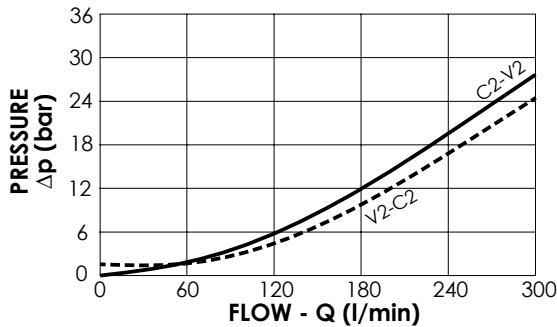


**SPECIFICATIONS**

Max. operating pressure:	350 bar
Rated flow:	300 l/min
Manifold:	Steel
Weight:	10,91 kg

**NOTES**

Setting: at least 1.3 times the load induced pressure



**ORDERING CODES**

Quick code	Description	Pilot ratio	Main ports size	Standard setting (bar, Q=5 l/min)	Adjust. range (bar)	Pressure increase (bar/turn)
MB000665	MBSN-300-AMSF-13-S11-N350	13:1	C2,V2 : 1-1/4" SAE 6000 Pil,C3 : G 1/4"	500	250-500	104