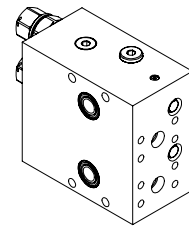
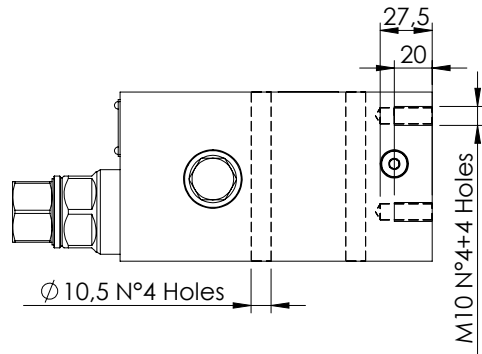
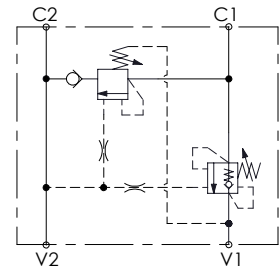
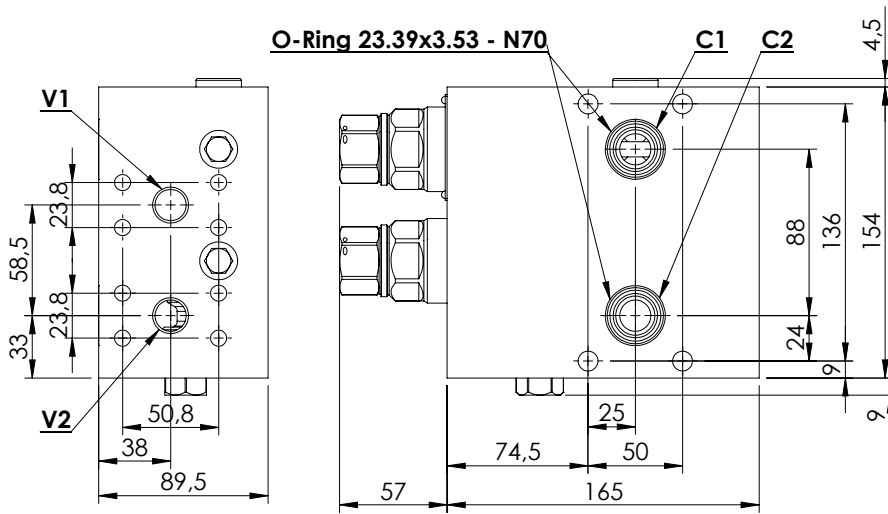


REGENERATIVE VALVE

**MRSN-300-ABNV** REGENERATIVE

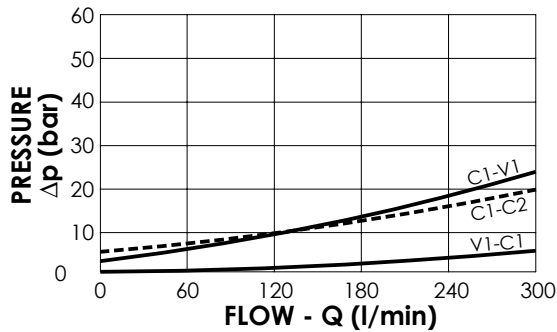


O-Ring 23.39x3.53 - N70



**SPECIFICATIONS**

Max. operating pressure:	420 bar
Rated flow:	300 l/min
Manifold:	Steel
Weight:	16,86 kg



**NOTES**

Setting: at least 1.3 times the load induced pressure

**ORDERING CODES**

Quick code	Description	Pilot ratio	Main ports size	Standard setting (bar, Q=5 l/min)	Adjust. range (bar)	Pressure increase (bar/turn)
MB000816	MRSN-300-ABNV-06-S34-N420	6:1	V1,V2: 3/4" SAE 6000 C1,C2: Ø16,5	250	120-360	122