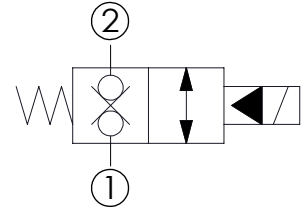
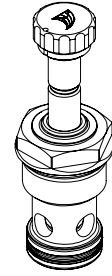
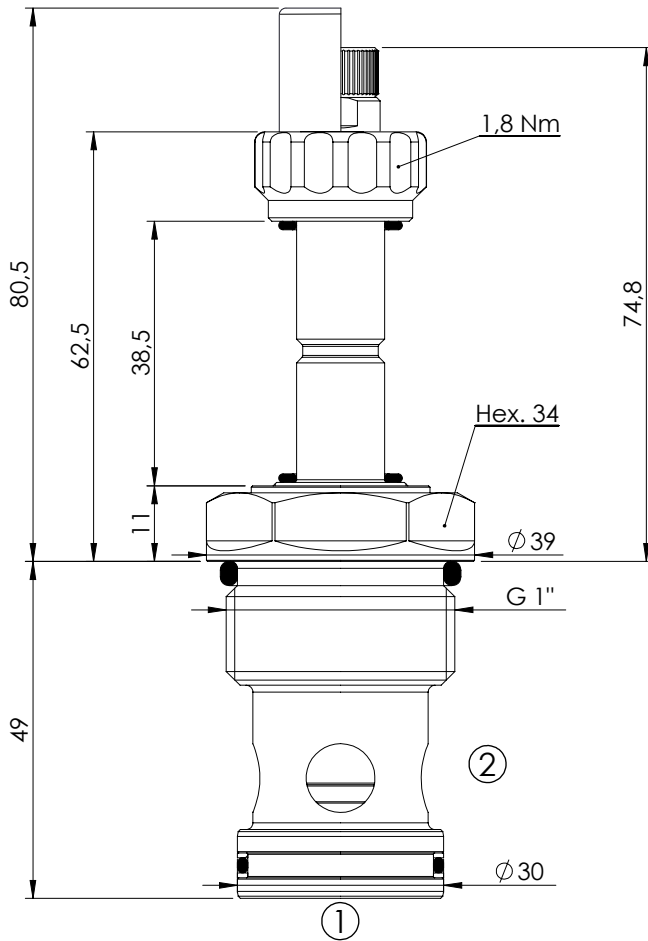


**SOLENOID OPERATED CARTRIDGE**

**CEBN-200-NCFN**

**PILOT OPERATED  
POPPET TYPE**

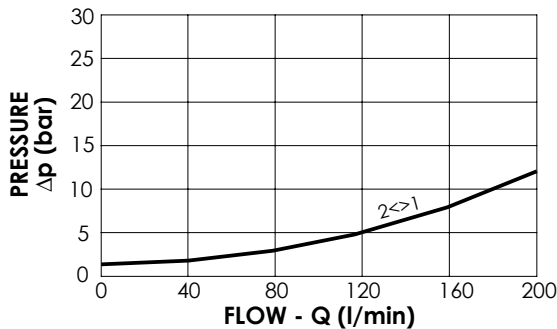


**SPECIFICATIONS**

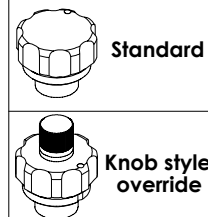
Max. operating pressure:	350/500 bar
Rated flow:	200 l/min
Cavity:	VP000013
Weight:	0,35 kg
Min. voltage required:	90% of nominal
Coil type:	M7 type
Seal kit:	RD900013

**NOTES**

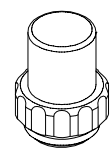
Installation torque: 135 - 150 Nm



**OPTIONS**



**SEALING CAP**



Ordering code:  
AT000113

**ORDERING CODES**

Quick code	Description	Options	Max operating pressure (bar)	
CE000366	CEBN-200-NCFN-31-013-N350	Standard	350	
CE000368	CEBN-200-NCFK-31-013-N350	Knob style override	350	
CE000666	CEBN-200-NCFN-31-013-N500	Standard	500	
CE000668	CEBN-200-NCFK-31-013-N500	Knob style override	500	