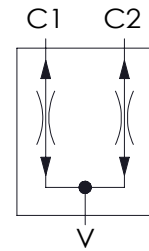
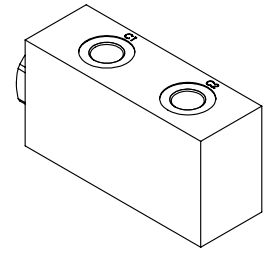
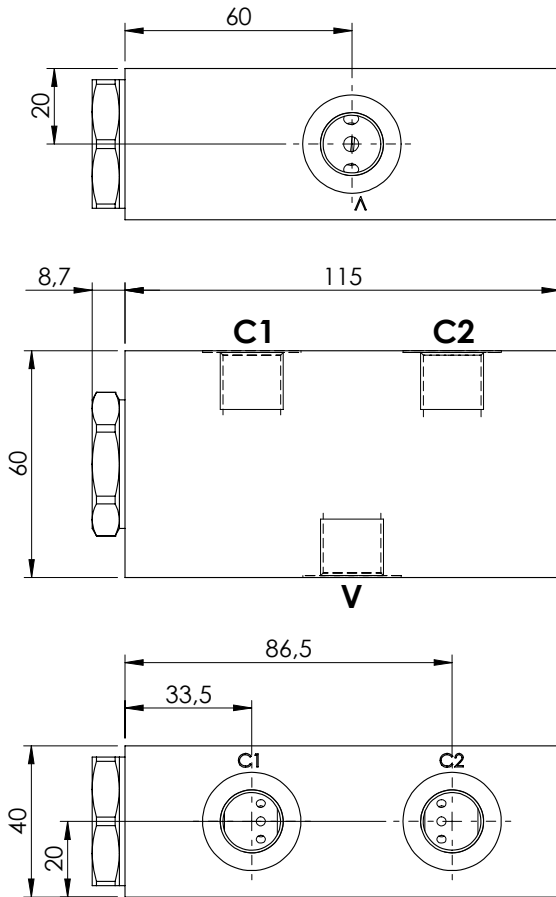


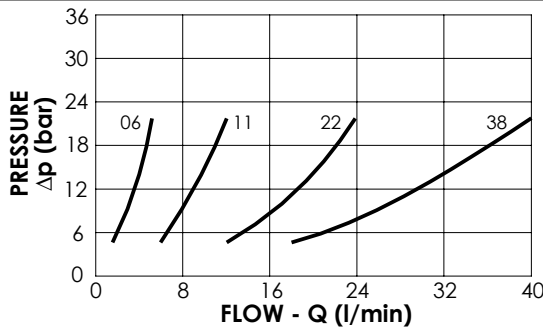
**FLOW DIVIDER AND COMBINER**

**MFDT-040-BFTR**



**SPECIFICATIONS**

Max. operating pressure:	210 bar
Division or combination:	50% - 50%
Manifold:	Aluminium
Weight:	0,88 kg
Cavity:	VP000242



**NOTES**

Flow divider accuracy:  $\pm 4/5\%$  between 40-100% of max. input flow

**ORDERING CODES**

Quick code	Description	Main ports size	Inlet range Flow (l/min)	
MF000076	MFDT-040-BFTR-06-G38-N210	V:G3/8" ; C1,C2:G 3/8"	2,8 - 5,8	
MF000077	MFDT-040-BFTR-11-G38-N210	V:G3/8" ; C1,C2:G 3/8"	6,5 - 11	
MF000078	MFDT-040-BFTR-22-G38-N210	V:G3/8" ; C1,C2:G 3/8"	13 - 22	
MF000075	MFDT-040-BFTR-38-G38-N210	V:G3/8" ; C1,C2:G 3/8"	25 - 38	
MF000080	MFDT-040-BFTR-06-G12-N210	V:G1/2" ; C1,C2:G 3/8"	2,8 - 5,8	
MF000081	MFDT-040-BFTR-11-G12-N210	V:G1/2" ; C1,C2:G 3/8"	6,5 - 11	
MF000082	MFDT-040-BFTR-22-G12-N210	V:G1/2" ; C1,C2:G 3/8"	13 - 22	
MF000079	MFDT-040-BFTR-38-G12-N210	V:G1/2" ; C1,C2:G 3/8"	25 - 38	