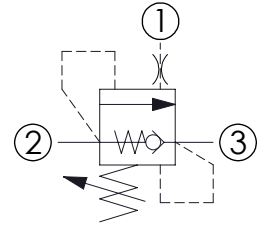
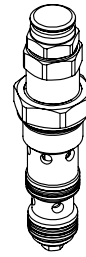
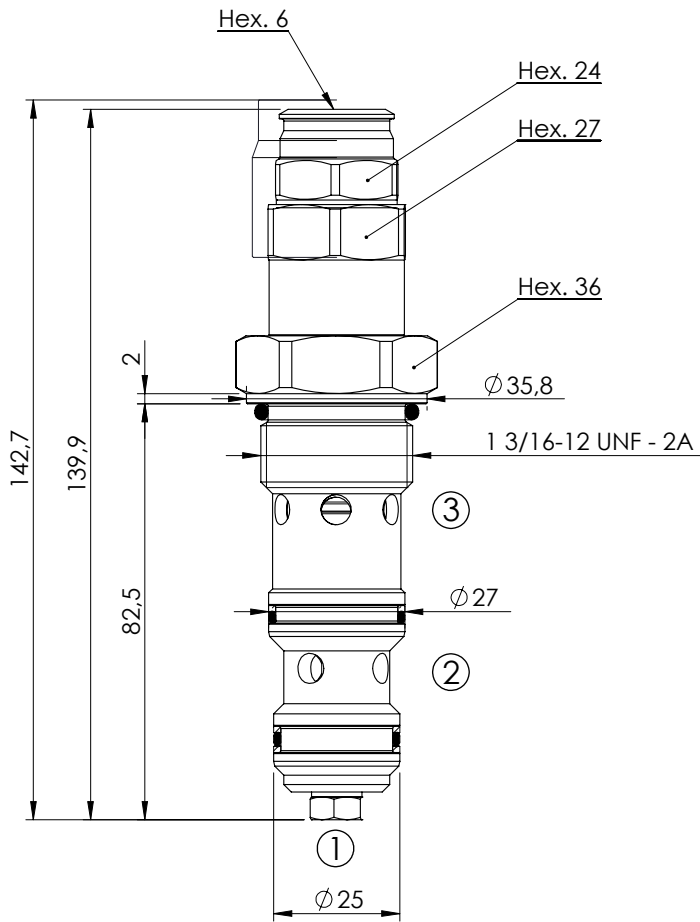


OVERCENTRE VALVE

CBSN-100-DCNH

DIFFERENTIAL AREA

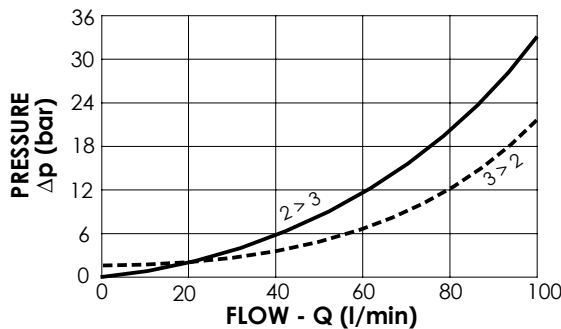
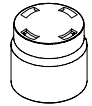


SPECIFICATIONS

| | |
|--------------------------|-----------|
| Max. operating pressure: | 350 bar |
| Rated flow: | 100 l/min |
| Cavity: | VP000120 |
| Weight: | 0,52 kg |

SEALING CAP

Ordering code:
PT000243



NOTES

- Setting: at least 1.3 times the load induced pressure
- Installation torque: 185 - 200 Nm
- Seal kit: RD700120

ORDERING CODES

| Quick code | Description | Pilot ratio | Standard setting (bar, Q=5 l/min) | Adjust. range (bar) | Pressure increase (bar/turn) |
|------------|---------------------------|-------------|-----------------------------------|---------------------|------------------------------|
| CB000015 | CBSN-100-DCNH-04-120-N350 | 3,8:1 | 350 | 100-350 | 118 |
| CB000113 | CBSN-100-DCNH-04-120-N200 | 3,8:1 | 200 | 60-210 | 68 |
| CB000094 | CBSN-100-DCNH-08-120-N350 | 8:1 | 350 | 100-350 | 132 |
| | | | | | |
| | | | | | |
| | | | | | |