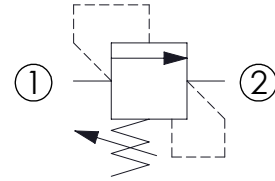
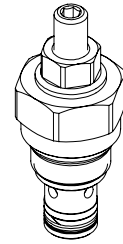
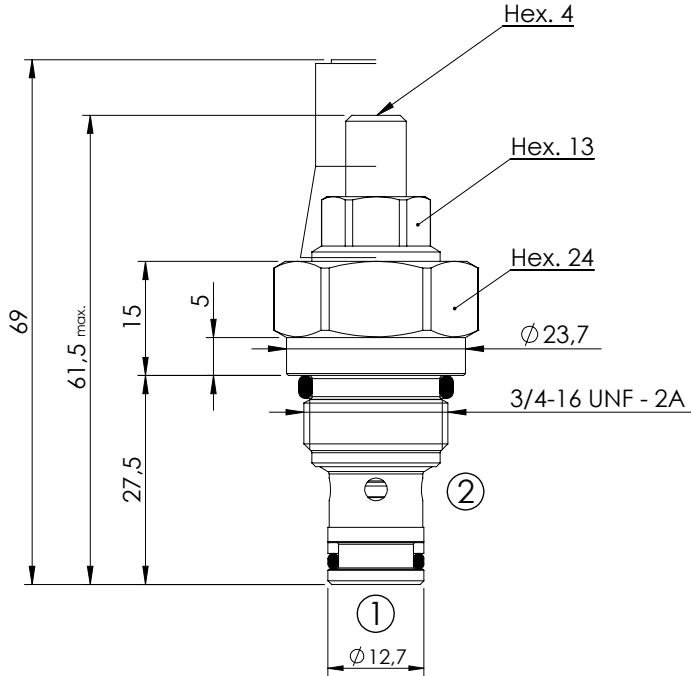


RELIEF VALVE

CPLN-010-DHNA

**DIRECT ACTING
HARDENED SEAT**

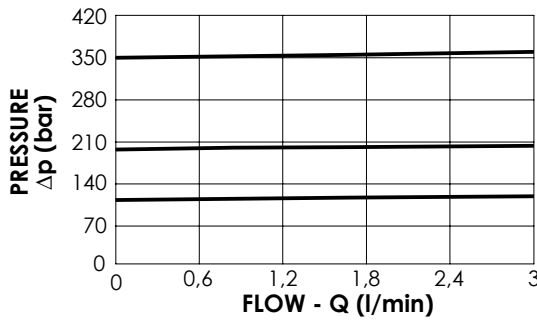
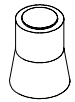


SPECIFICATIONS

Max. operating pressure:	350 bar
Rated flow:	3 l/min
Cavity:	SAE-08-2N
Weight:	0,1 kg

SEALING CAP

Ordering code:
AT000020



NOTES

Installation torque:	45 - 50 Nm
Seal kit:	RA700081

ORDERING CODES

Quick code	Description	Standard setting (bar, Q=0,2 l/min)	Adjustment range (bar)	Pressure increase (bar/turn)
CP000006	CPLN-010-DHNA-SN-S08-N350	350	140-350	142
CP000055	CPLN-010-DHNA-SN-S08-N200	200	90-210	87
CP000056	CPLN-010-DHNA-SN-S08-N100	100	35-110	47