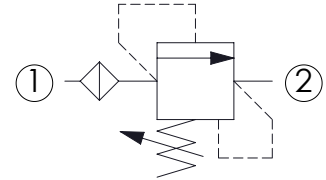
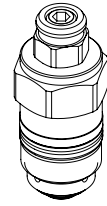
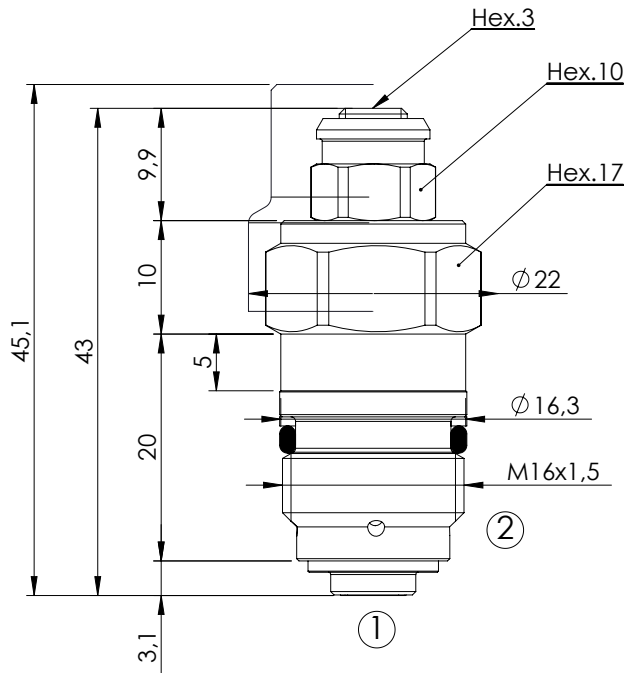


RELIEF VALVE

CPLN-005-DPNA

DIRECT ACTING
WITH FILTER

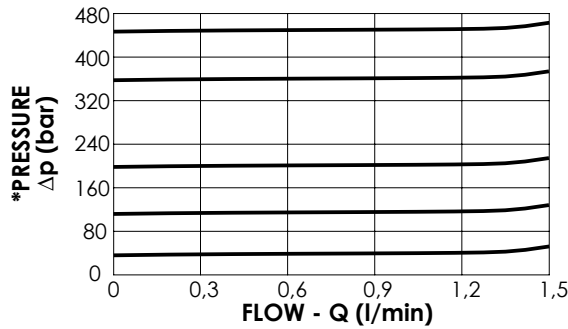
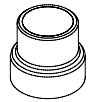


SPECIFICATIONS

Max. operating pressure:	460 bar
Rated flow:	1,5 l/min
Cavity:	VP000005
Weight:	0,05 kg

SEALING CAP

Ordering code:
ST000014



NOTES

Installation torque:	27 - 33 Nm
Seal kit:	RC700005

ORDERING CODES

Quick code	Description	Standard setting (bar/cracking pressure)	Adjustment range (bar)	Pressure increase (bar/turn)
CP000015	CPLN-005-DPNA-PF-005-N460	460	150-460	236
CP000002	CPLN-005-DPNA-PF-005-N350	350	120-350	165
CP000029	CPLN-005-DPNA-PF-005-N200	200	100-200	75
CP000030	CPLN-005-DPNA-PF-005-N100	100	25-100	41
CP000277	CPLN-005-DPNA-PF-005-N040	40	10-40	22