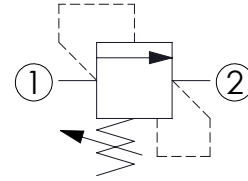
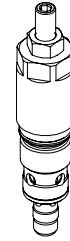
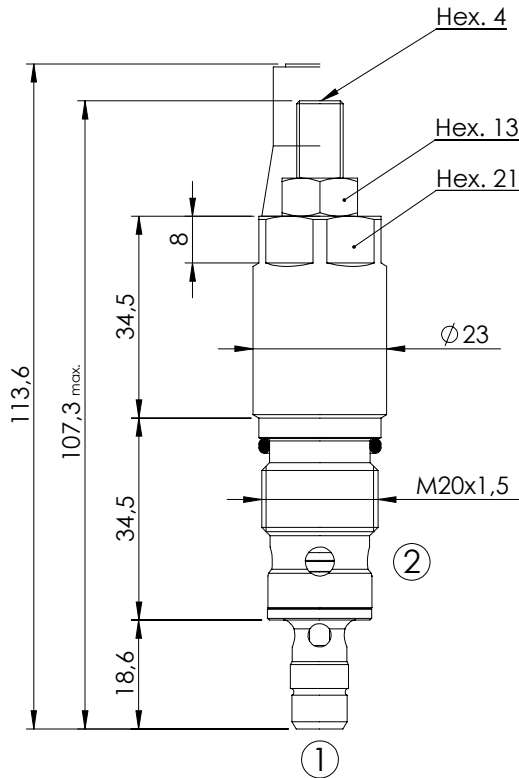


RELIEF VALVE

CPLN-030-DPNA

DIRECT ACTING
STABILIZED PISTON

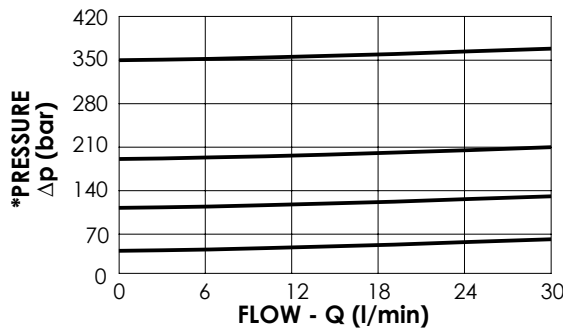
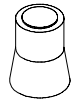


SPECIFICATIONS

Max. operating pressure:	420 bar
Rated flow:	30 l/min
Cavity:	VP000008
Weight:	0,17 kg

SEALING CAP

Ordering code:
AT000020



NOTES

Installation torque:	40 - 45 Nm
Seal kit:	RC700008

ORDERING CODES

Quick code	Description	Standard setting (bar, Q=5 l/min)	Adjustment range (bar)	Pressure increase (bar/turn)
CP000124	CPLN-030-DPNA-HN-008-N420	350	250-420	104
CP000001	CPLN-030-DPNA-HN-008-N350	350	100-350	91
CP000019	CPLN-030-DPNA-HN-008-N200	200	50-210	42
CP000020	CPLN-030-DPNA-HN-008-N100	100	30-100	20
CP000032	CPLN-030-DPNA-HN-008-N050	50	10-50	10