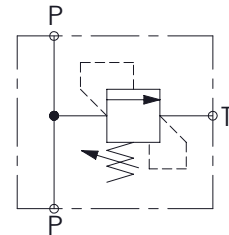
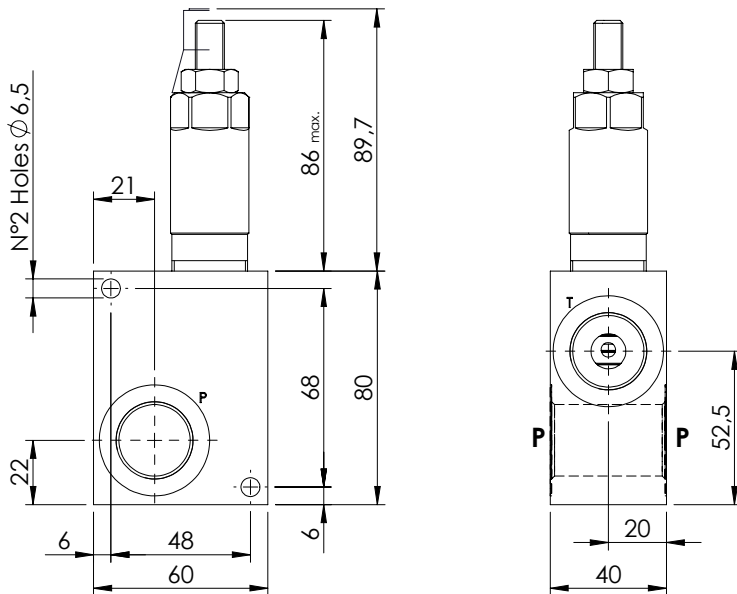
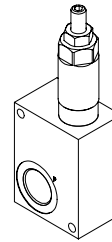


RELIEF VALVE IN BODY

**KPLN-080-DPNA**

DIRECT ACTING  
STABILIZED PISTON

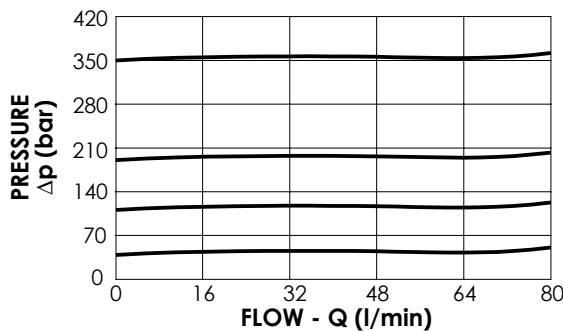
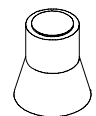


**SPECIFICATIONS**

Max. operating pressure:	350 bar
Rated flow:	80 l/min
Manifold:	Aluminium
Weight:	0,7 kg

**SEALING CAP**

Ordering code:  
AT000021



**NOTES**

\*Codes available with steel manifold.

**ORDERING CODES**

Quick code	Description	Main ports size	Standard setting (bar, Q=5 l/min)	Adjustm. range (bar)	Pressure increase (bar/turn)
KP000018	KPLN-080-DPNA-HN-G34-N350	P,T: G 3/4"	350	100-350	42
KP000070	KPLN-080-DPNA-HN-G34-N200	P,T: G 3/4"	200	60-210	24
KP000069	KPLN-080-DPNA-HN-G34-N100	P,T: G 3/4"	100	25-100	13
KP000098	KPLN-080-DPNA-HN-G34-N050	P,T: G 3/4"	50	5-50	9
KP000016	KPLN-080-DPNA-HN-G12-N350	P,T: G 1/2"	350	100-350	42
KP000090	KPLN-080-DPNA-HN-G12-N200	P,T: G 1/2"	200	60-210	24
KP000091	KPLN-080-DPNA-HN-G12-N100	P,T: G 1/2"	100	25-100	13
KP000099	KPLN-080-DPNA-HN-G12-N050	P,T: G 1/2"	50	5-50	9