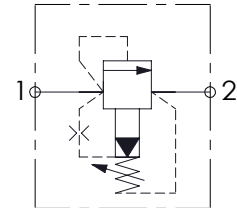
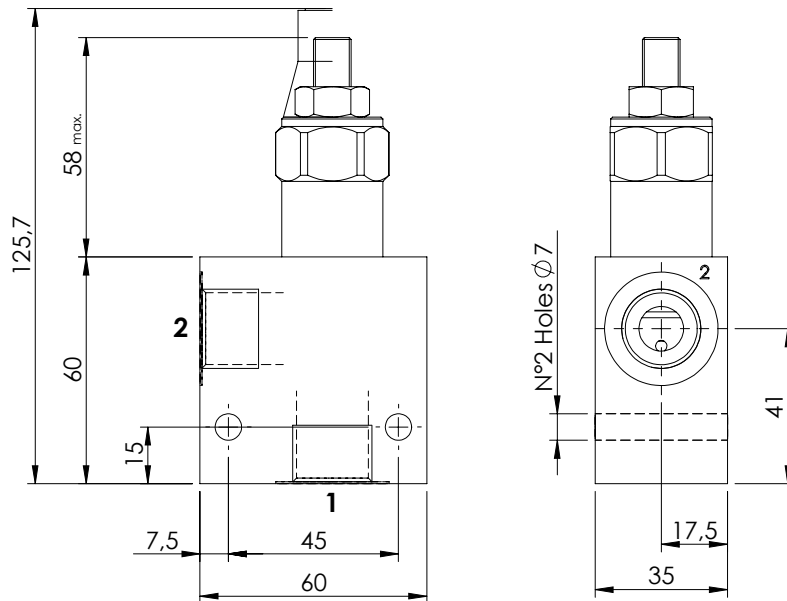
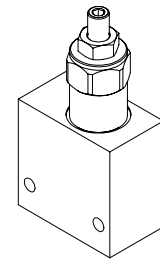
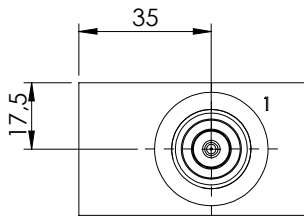


RELIEF VALVE IN BODY

**KPLN-120-PSNA**

PILOT OPERATED  
SPOOL TYPE

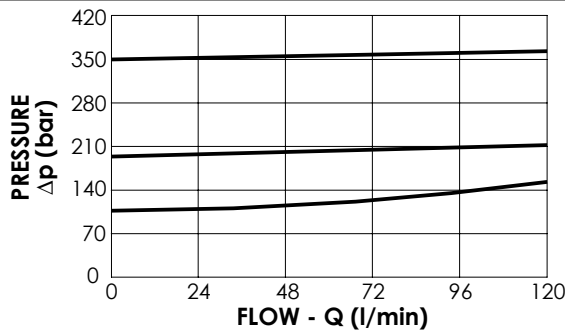
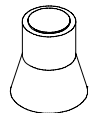


**SPECIFICATIONS**

Max. operating pressure:	350 bar
Rated flow:	120 l/min
Manifold:	Aluminium
Weight:	0,49 kg
Leakage:	200 cm <sup>3</sup> @ 200 bar

**SEALING CAP**

Ordering code:  
**AT000021**



**ORDERING CODES**

Quick code	Description	Main ports size	Standard setting (bar, Q=5 l/min)	Adjustm. range (bar)	Pressure increase (bar/turn)
KP000014	KPLN-120-PSNA-HN-G12-N350	P,T : G1/2"	350	140-350	114
KP000048	KPLN-120-PSNA-HN-G12-N200	P,T : G1/2"	200	70-210	69
KP000047	KPLN-120-PSNA-HN-G12-N100	P,T : G1/2"	100	35-120	37
KP000096	KPLN-120-PSNA-HN-G34-N350	P,T : G3/4"	350	140-350	114
KP000159	KPLN-120-PSNA-HN-G34-N200	P,T : G3/4"	200	70-210	69
KP000160	KPLN-120-PSNA-HN-G34-N100	P,T : G3/4"	100	35-120	37