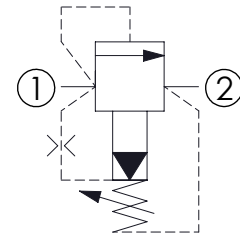
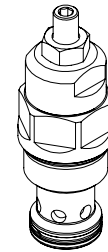
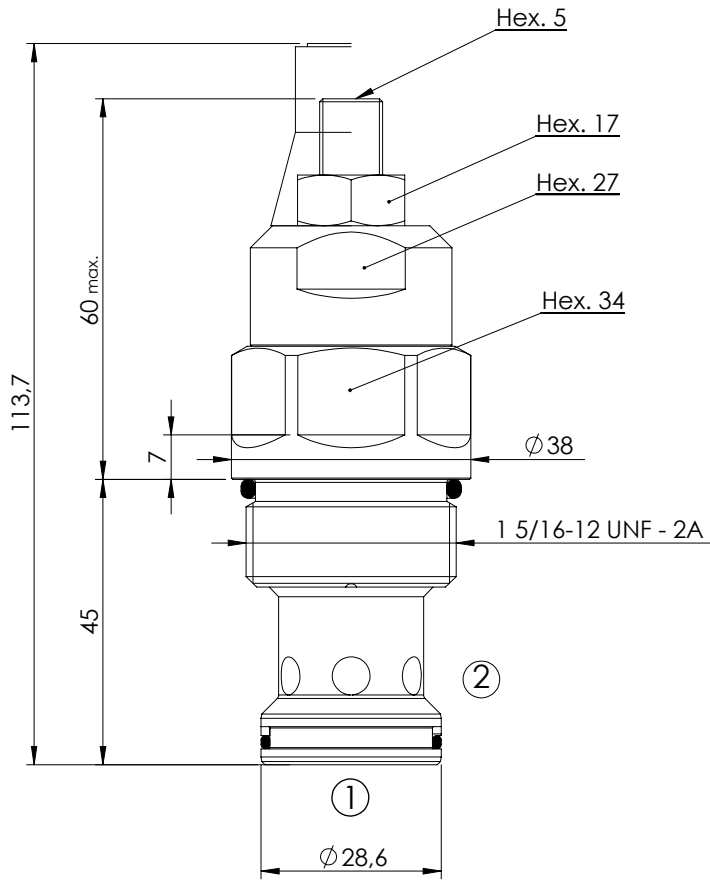


RELIEF VALVE

**CPLN-300-PSNA**

PILOT OPERATED  
SPOOL TYPE

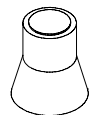


**SPECIFICATIONS**

Max. operating pressure:	350 bar
Rated flow:	300 l/min
Cavity:	SAE-16-2N
Weight:	0,5 kg
Leakage:	350 cm <sup>3</sup> @ 200 bar

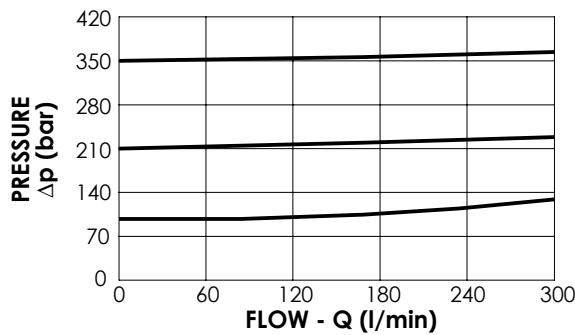
**SEALING CAP**

Ordering code:  
AT000021



**NOTES**

Installation torque:	150 - 180 Nm
Seal kit:	RA700084



**ORDERING CODES**

Quick code	Description	Standard setting (bar, Q=5 l/min)	Adjustment range (bar)	Pressure increase (bar/turn)
CP000188	CPLN-300-PSNA-HN-S16-N350	350	140-350	114
CP000177	CPLN-300-PSNA-HN-S16-N200	200	70-210	69
CP000178	CPLN-300-PSNA-HN-S16-N100	100	35-120	37