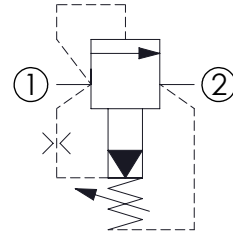
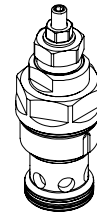
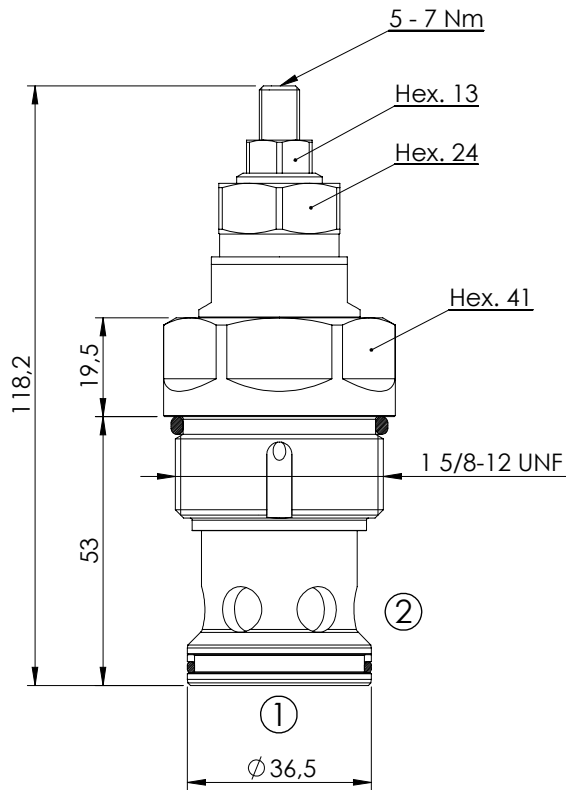


RELIEF VALVE

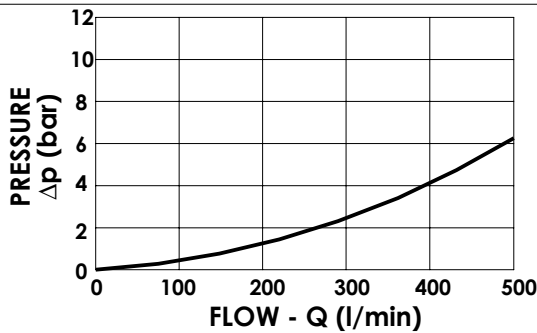
CPLN-500-PHNA

PILOTED OPERATED
SPOOL TYPE



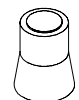
SPECIFICATIONS

Max. operating pressure:	350 bar
Rated flow:	500 l/min
Cavity:	SAE-20-2N
Weight:	0,7 kg
Installation torque:	230 - 250 Nm
Max. int. leakage:	400 cm ³ /min (@46 cst)
Seal kit:	RA900085



SEALING CAP

Ordering code:
AT000020



ORDERING CODES

Quick code	Description	Standard setting (bar, Q=5 l/min)	Adjustment range (bar)	Pressure increase (bar/turn)
CP000407	CPLN-500-PHNA-SN-S20-N350	350	140-350	142
CP000408	CPLN-500-PHNA-SN-S20-N200	200	90-210	87
CP000409	CPLN-500-PHNA-SN-S20-N100	100	35-110	47