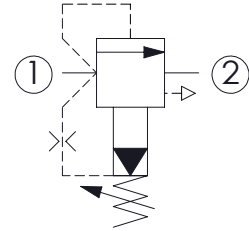
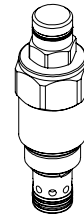
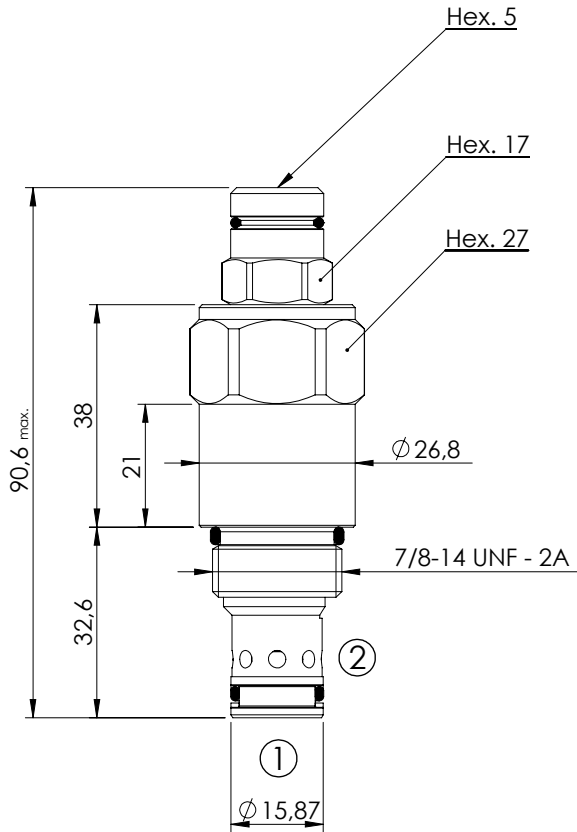


RELIEF VALVE

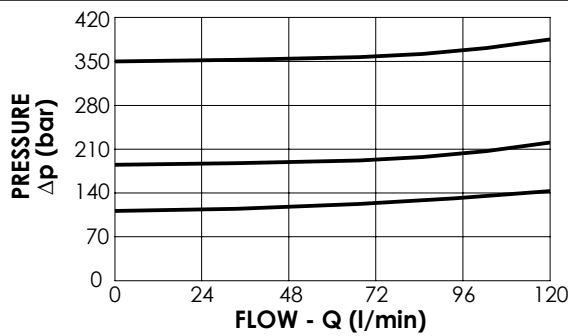
CPLT-120-PSNA

PILOT OPERATED
SPOOL TYPE
COMPENSATED



SPECIFICATIONS

Max. operating pressure:	350 bar
Rated flow:	120 l/min
Cavity:	SAE-10-2N
Weight:	0,25 kg
Leakage:	200 cm ³ @ 200 bar



NOTES

Installation torque:	50 - 57 Nm
Seal kit:	RB700082

ORDERING CODES

Quick code	Description	Standard setting (bar, Q=5 l/min)	Adjustment range (bar)	Pressure increase (bar/turn)
CP000070	CPLT-120-PSNA-HN-S10-N350	350	140-350	114
CP000071	CPLT-120-PSNA-HN-S10-N200	200	70-210	69
CP000072	CPLT-120-PSNA-HN-S10-N100	100	35-120	37