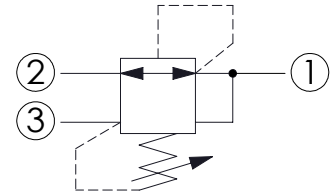
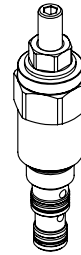
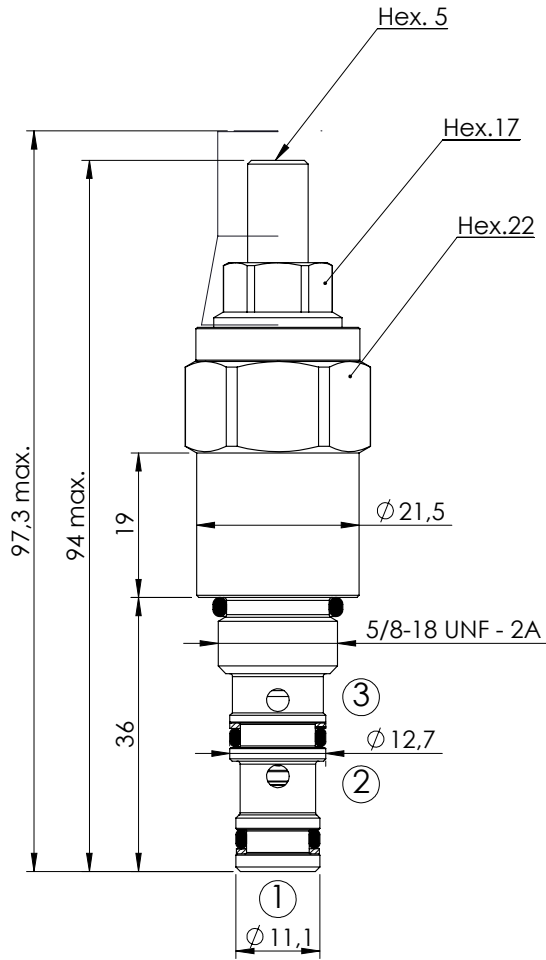


PRESSURE REDUCING AND RELIEVING

CPRL-007-DNNR

**DIRECT ACTING
SPOOL TYPE**

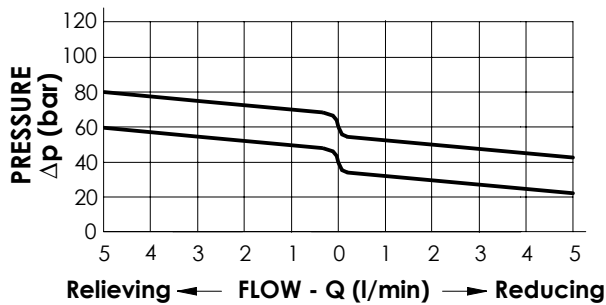


SPECIFICATIONS

Max. operating pressure:	350 bar
Rated flow:	5 l/min
Cavity:	VP000016
Weight:	0,14 kg
Installation torque:	25 - 30 Nm
Leakage:	35 cm ³ @ 50 bar
Seal kit:	RC700016

SEALING CAP

Ordering code:
AT000020



ORDERING CODES

Quick code	Description	Standard setting (bar)	Adjust. range (bar)	Pressure increase (bar/turn)	
CR000001	CPRL-007-DNNR-HN-016-N060	40	10-60	6	
CR000025	CPRL-007-DNNR-HN-016-N085	60	25-85	9	