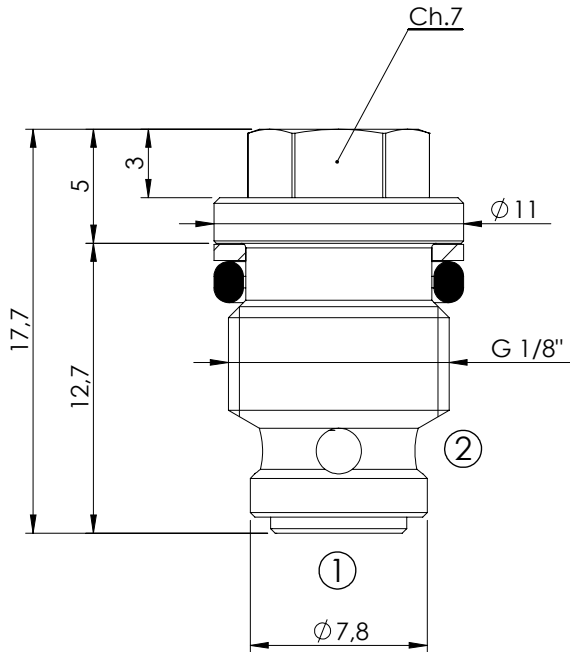
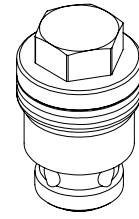


CHECK VALVE

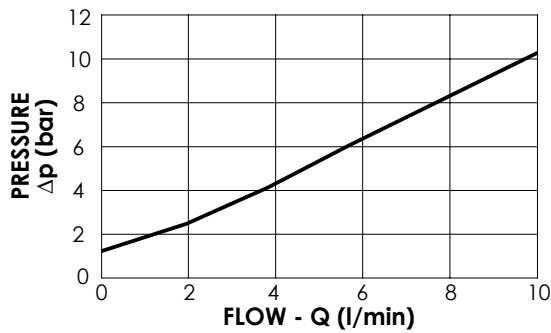
CDVN-010-SSNS

SPHERE TYPE



SPECIFICATIONS

Max. operating pressure:	350 bar
Rated flow:	10 l/min
Cavity:	VP000216
Weight:	0,01 kg



NOTES

Installation torque:	6.5 - 7 Nm
Seal kit:	RC700216

ORDERING CODES

Quick code	Description	Cracking pressure (bar)	
CD000094	CDVN-010-SSNS-HN-216-N001	1,2	