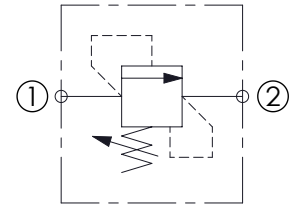
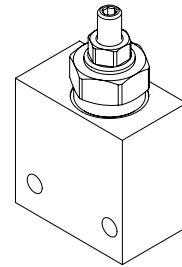
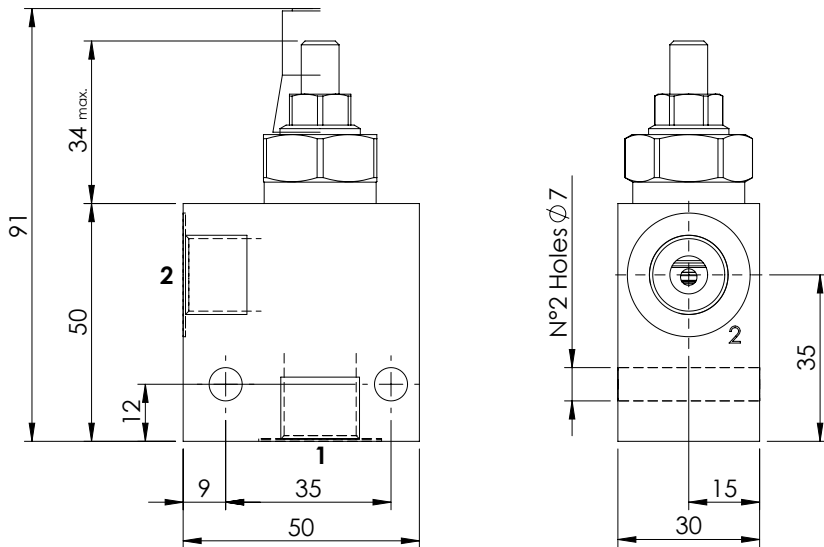
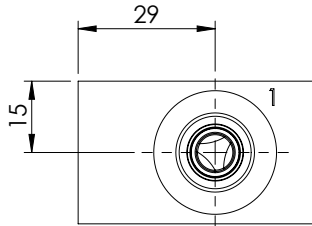


RELIEF VALVE IN BODY

KPLN-020-DPNA

DIRECT ACTING
STABILIZED PISTON

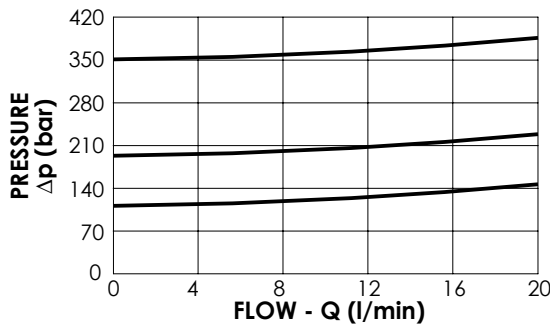
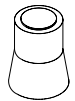


SPECIFICATIONS

Max. operating pressure:	350 bar
Rated flow:	20 l/min
Manifold:	Aluminium
Weight:	0,25 kg

SEALING CAP

Ordering code:
AT000020



ORDERING CODES

Quick code	Description	Main ports size	Standard setting (bar, Q=5 l/min)	Adjustm. range (bar)	Pressure increase (bar/turn)
KP000010	KPLN-020-DPNA-SN-G38-N350	P,T: G 3/8"	350	175-350	177
KP000037	KPLN-020-DPNA-SN-G38-N200	P,T: G 3/8"	200	105-210	80
KP000038	KPLN-020-DPNA-SN-G38-N100	P,T: G 3/8"	100	35-140	49
KP000008	KPLN-020-DPNA-SN-G14-N350	P,T: G 1/4"	350	175-350	177
KP000039	KPLN-020-DPNA-SN-G14-N200	P,T: G 1/4"	200	105-210	80
KP000040	KPLN-020-DPNA-SN-G14-N100	P,T: G 1/4"	100	35-140	49