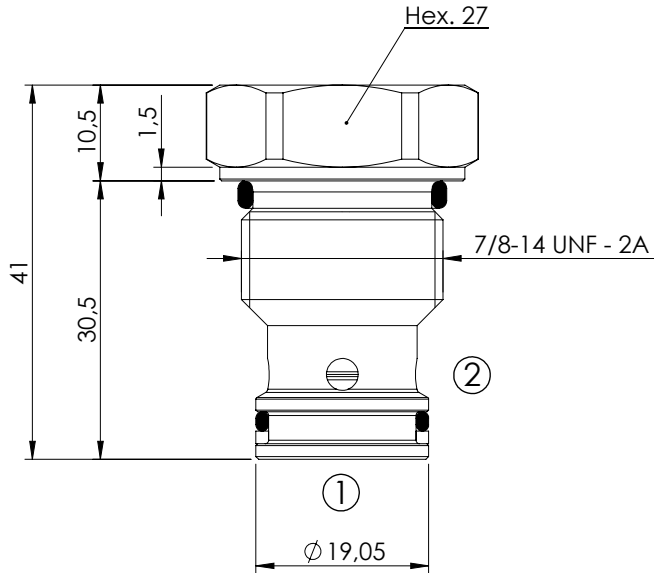
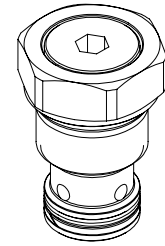


CHECK VALVE

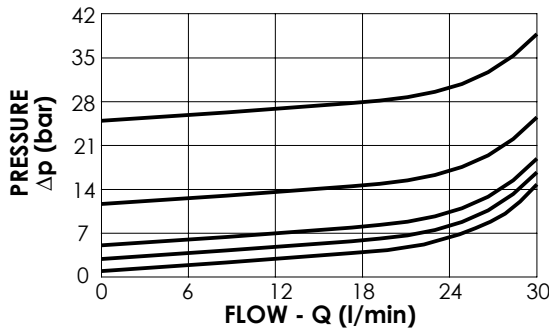
CDVN-030-PSNR

POPPET TYPE



SPECIFICATIONS

Max. operating pressure:	350 bar
Rated flow:	30 l/min
Cavity:	VP000015
Weight:	0,11 kg



NOTES

Installation torque:	76 - 85 Nm
Seal kit:	RC700015

ORDERING CODES

Quick code	Description	Cracking pressure (bar)	Hardened Seat
CD000054	CDVN-030-PSNR-HN-015-N001	1	NO
CD000302	CDVN-030-PANR-HN-015-N001	1	YES
CD000195	CDVN-030-PSNR-HN-015-N003	3	NO
CD000303	CDVN-030-PANR-HN-015-N003	3	YES
CD000055	CDVN-030-PSNR-HN-015-N005	5	NO
CD000304	CDVN-030-PANR-HN-015-N005	5	YES
CD000056	CDVN-030-PSNR-HN-015-N009	9	NO
CD000132	CDVN-030-PANR-HN-015-N009	9	YES
CD000057	CDVN-030-PSNR-HN-015-N025	25	NO
CD000063	CDVN-030-PANR-HN-015-N025	25	YES