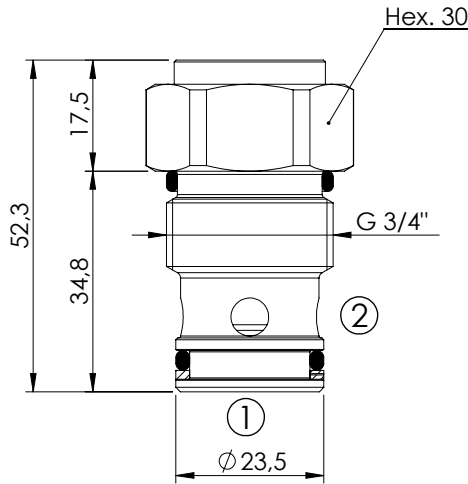
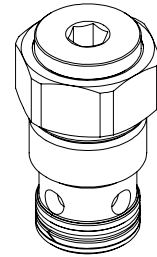


CHECK VALVE

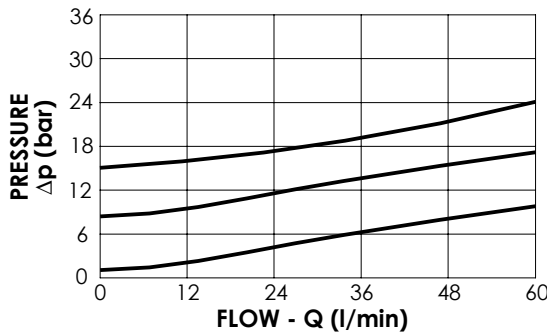
**CDVN-060-PSNR**

POPPET TYPE



**SPECIFICATIONS**

Max. operating pressure:	350 bar
Rated flow:	60 l/min
Cavity:	VP000006
Weight:	0,18 kg



**NOTES**

Installation torque:	100 - 130 Nm
Seal kit:	RC700006

**ORDERING CODES**

Quick code	Description	Cracking pressure (bar)	
CD000019	CDVN-060-PSNR-FN-006-N001	1	
CD000020	CDVN-060-PSNR-FN-006-N009	9	
CD000075	CDVN-060-PSNR-FN-006-N015	15	