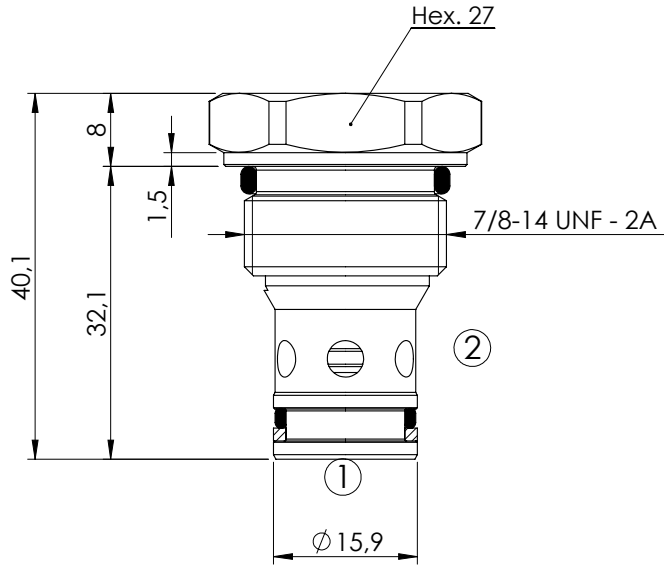
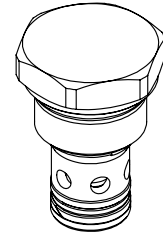


CHECK VALVE

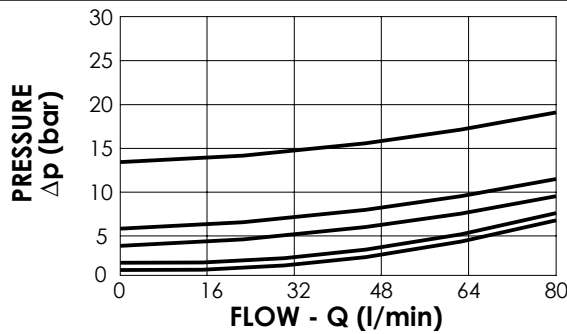
**CDVN-080-PSNR**

POPPET TYPE



**SPECIFICATIONS**

Max. operating pressure:	350 bar
Rated flow:	80 l/min
Cavity:	SAE-10-2N
Weight:	0,09 kg



**NOTES**

Installation torque:	50 - 57 Nm
Seal kit:	RA700082

**ORDERING CODES**

Quick code	Description	Cracking pressure (bar)	
CD000100	CDVN-080-PSNR-FN-S10-N000	0,35	
CD000023	CDVN-080-PSNR-FN-S10-N001	1	
CD000169	CDVN-080-PSNR-FN-S10-N003	3,7	
CD000101	CDVN-080-PSNR-FN-S10-N005	5,5	
CD000082	CDVN-080-PSNR-FN-S10-N013	13	