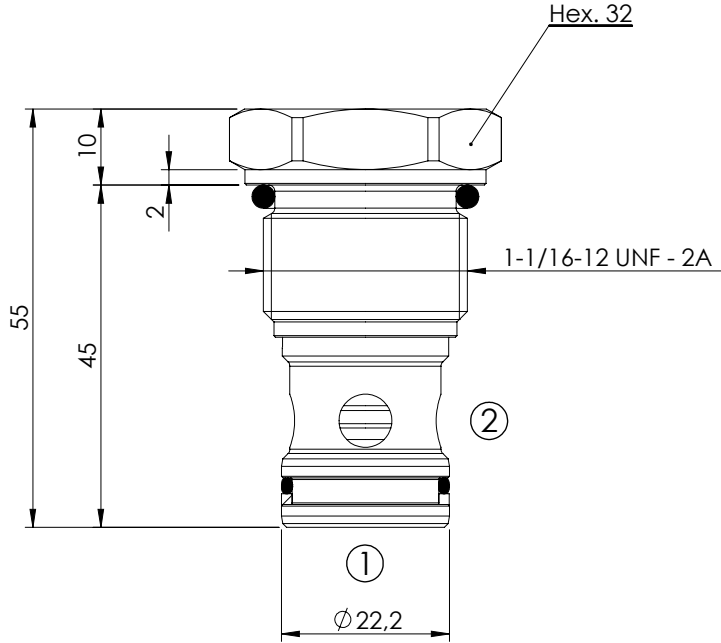
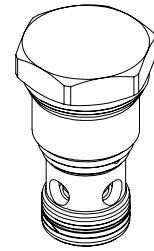


CHECK VALVE

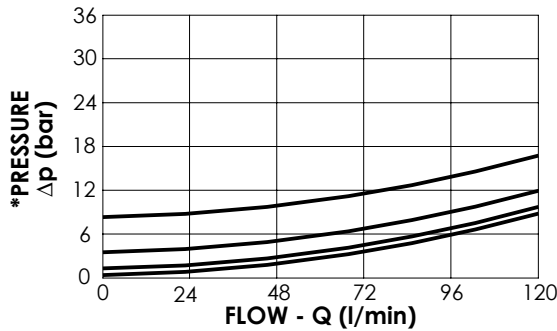
**CDVN-120-PSNR**

POPPET TYPE



**SPECIFICATIONS**

Max. operating pressure:	350 bar
Rated flow:	120 l/min
Cavity:	SAE-12-2N
Weight:	0,18 kg



**NOTES**

Installation torque:	110 - 130 Nm
Seal kit:	RA700083

**ORDERING CODES**

Quick code	Description	Cracking pressure (bar)	
CD000444	CDVN-120-PSNR-FN-S12-N000	0,3	
CD000046	CDVN-120-PSNR-FN-S12-N001	1	
CD000310	CDVN-120-PSNR-FN-S12-N004	4	
CD000445	CDVN-120-PSNR-FN-S12-N008	8	