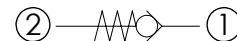
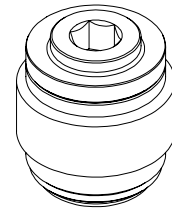
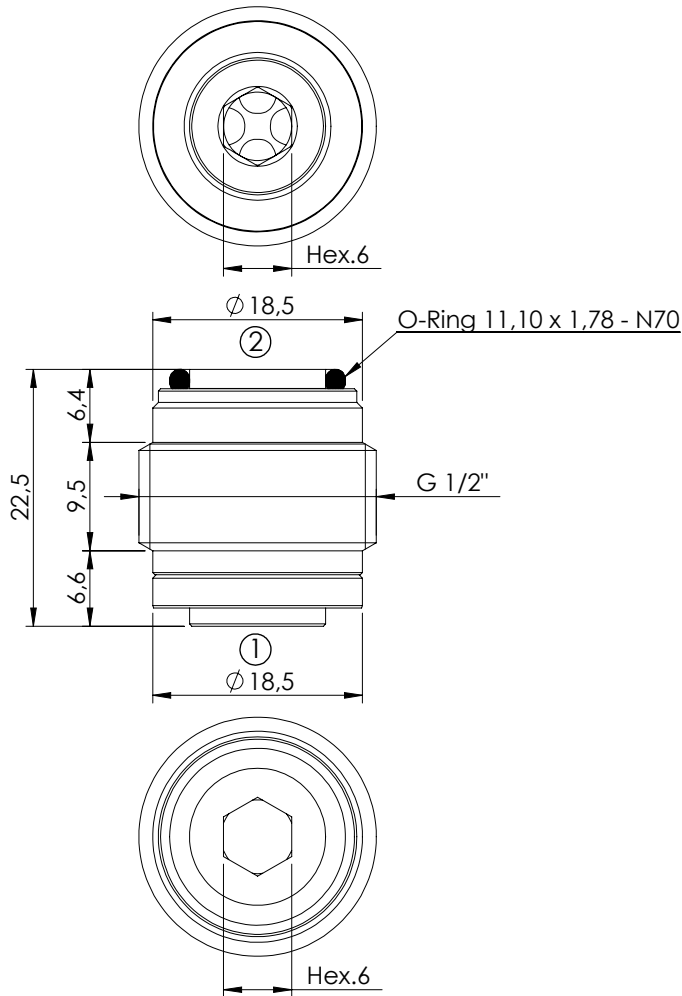


CHECK VALVE

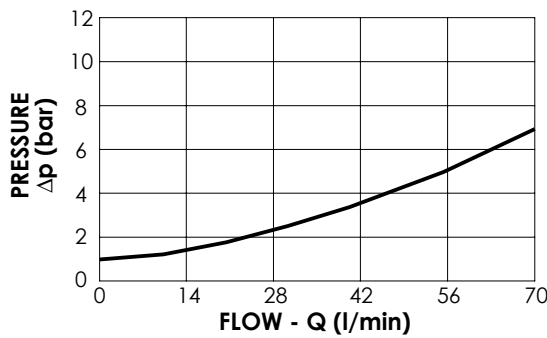
CDVN-070-PSNS

**BIDIRECTIONAL
POPPET TYPE**



SPECIFICATIONS

Max. operating pressure:	350 bar
Rated flow:	70 l/min
Cavity:	VP000158
Weight:	0,04 kg



NOTES

Installation torque: 25-30 Nm

The valve can be assembled in both ways, OR to be placed only on the side first introduced in the cavity

ORDERING CODES

Quick code	Description	Craking pressure (bar)	
CD000107	CDVN-070-PSNS-FN-158-N001	1	