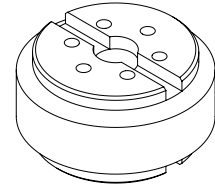
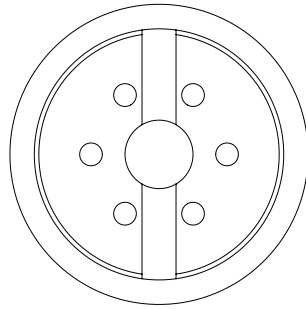
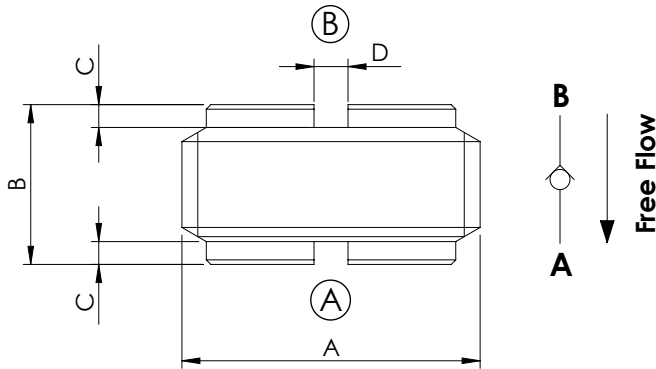


CHECK VALVE

CDVN-010-DSNS

INSERT TYPE
DOUBLE MOUNTING

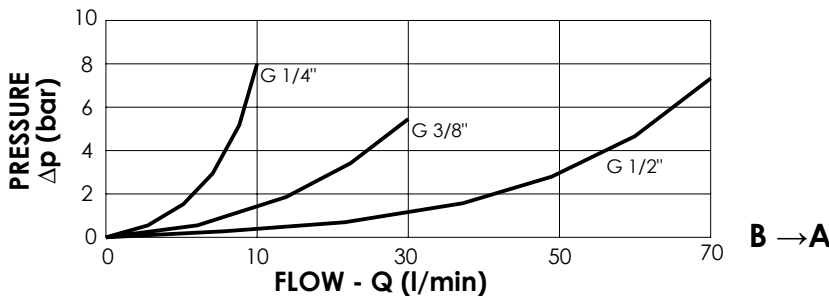


SPECIFICATIONS

Max. operating pressure:	350 bar
Rated flow:	See table
Cavity:	See table
Weight:	0,1 kg

NOTES

- Disk type
- Not leak proof
- Without spring



CODE	RATED FLOW
G 1/4"	10 l/min
G 3/8"	30 l/min
G 1/2"	70 l/min

ORDERING CODES

Quick code	Description	Install. torque (Nm)	Cracking pressure (bar)	Dimension			
				A	B	C	D
CD000150	CDVN-010-DSNS-00-G14-N350	5	0	G 1/4"	7	1	1,5
CD000148	CDVN-030-DSNS-00-G38-N350	10	0	G 3/8"	7,5	1	1,5
CD000151	CDVN-070-DSNS-00-G12-N350	10	0	G 1/2"	11	1,5	1,5