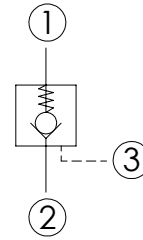
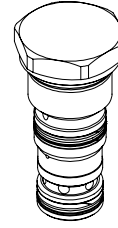
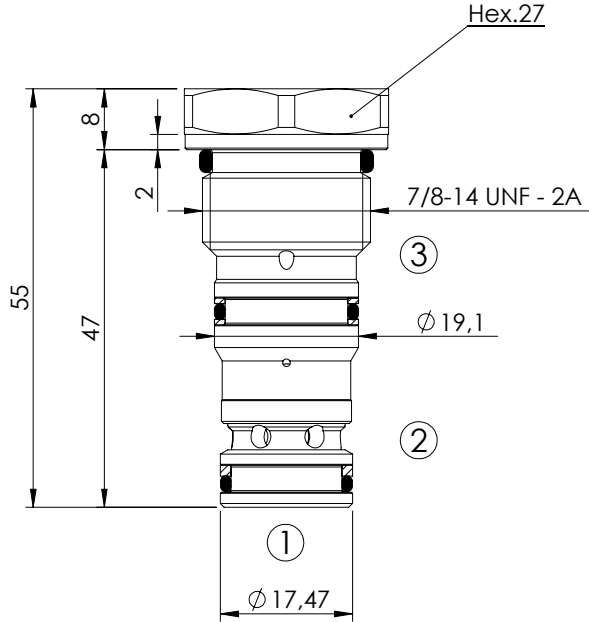


PILOT OPERATED CHECK VALVE

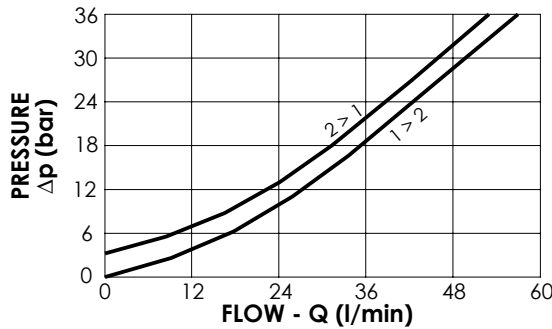
CDPN-060-PSGR

INTEGRAL PILOT
PISTON



SPECIFICATIONS

Max. operating pressure:	350 bar
Rated flow:	60 l/min
Cavity:	SAE-10-3C
Weight:	0,12 kg
Pilot ratio:	3,2 : 1



NOTES

Installation torque:	50 - 57 Nm
Seal kit:	RB700087

ORDERING CODES

Quick code	Description	Cracking pressure (bar)	O-Ring on pilot piston
CD000109	CDPN-060-PSGR-03-S10-N002	2	YES
CD000113	CDPN-060-PSGM-03-S10-N002	2	NO
CD000170	CDPN-060-PSGR-03-S10-N005	5	YES
CD000171	CDPN-060-PSGM-03-S10-N005	5	NO

1	Relief
2	Pressure reducing
3	Sequence
4	Check
5	Pilot operated check
6	Overcentre
7	Regenerative
8	Hydr. motors, actuators & winch valves
9	Motion control
10	Check and metering
11	Shuttle and logic elements
12	Flow dividers & combiners