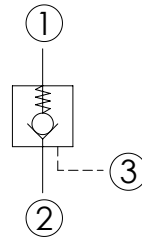
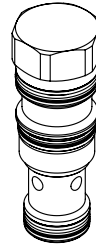
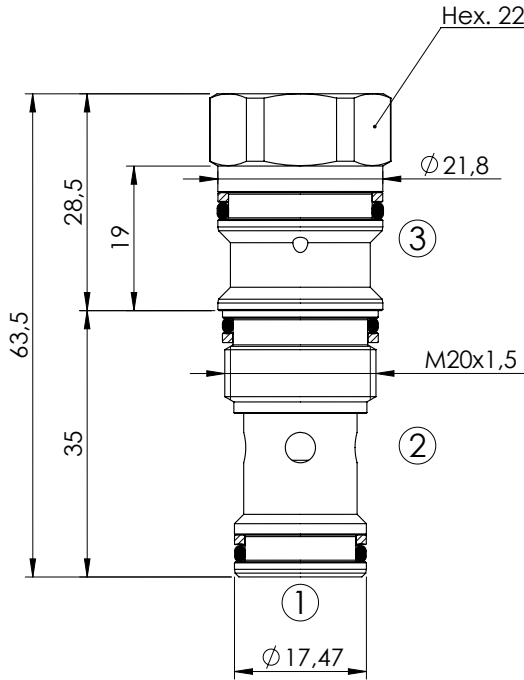


PILOT OPERATED CHECK VALVE

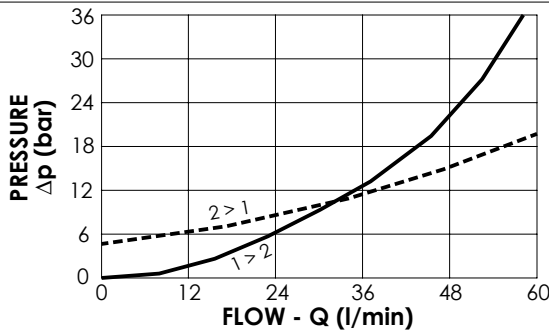
CDPN-060-PSGR

INTEGRAL PILOT
PISTON



SPECIFICATIONS

Max. operating pressure:	350 bar
Rated flow:	60 l/min
Cavity:	VP000161 (SUN T-11A)
Weight:	0,12 kg
Pilot ratio:	3,2 : 1



NOTES

Installation torque:	40 - 50 Nm
Seal kit:	RC700161

ORDERING CODES

Quick code	Description	Cracking pressure (bar)	O-Ring on pilot piston	
CD000226	CDPN-060-PSGR-03-161-N002	2	YES	
CD000227	CDPN-060-PSGM-03-161-N002	2	NO	
CD000224	CDPN-060-PSGR-03-161-N005	5	YES	
CD000225	CDPN-060-PSGM-03-161-N005	5	NO	
CD000229	CDPN-060-PSGR-03-161-N007	7	YES	