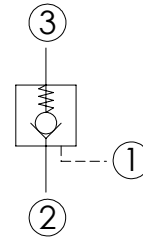
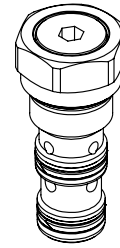
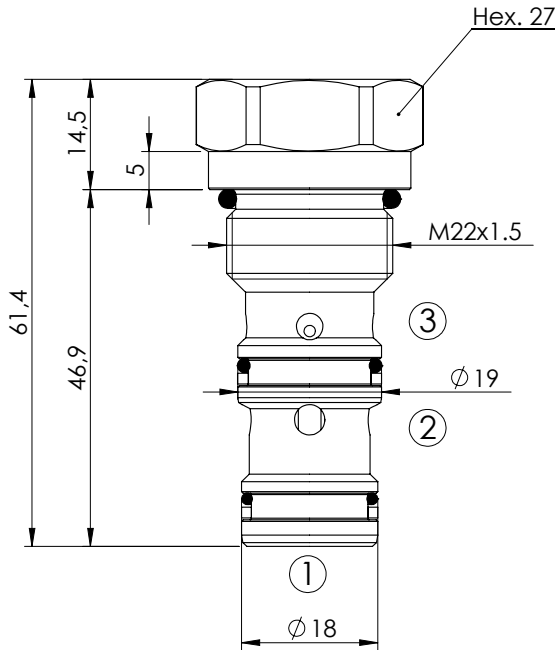


PILOT OPERATED CHECK VALVE

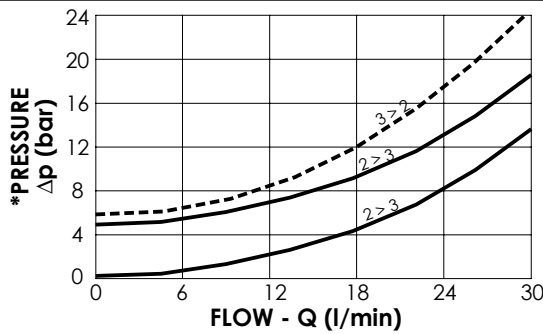
**CDPN-030-PANR**

INTEGRAL PILOT  
PISTON



**SPECIFICATIONS**

Max. operating pressure:	350 bar
Rated flow:	30 l/min
Cavity:	VP000314
Weight:	0,1 kg
Pilot ratio:	4 : 1



**NOTES**

Installation torque:	50 - 60 Nm
Seal kit:	RC700314

**ORDERING CODES**

Quick code	Description	Cracking pressure (bar)	O-Ring on pilot piston	
CD000186	CDPN-030-PANR-04-314-N005	5	YES	
CD000235	CDPN-030-PANM-04-314-N001	1	NO	

1	Relief
2	Pressure reducing
3	Sequence
4	Check
5	Pilot operated check
6	Overcentre
7	Regenerative
8	Hydr. motors, actuators & winch valves
9	Motion control
10	Check and metering
11	Shuttle and logic elements
12	Flow dividers & combiners