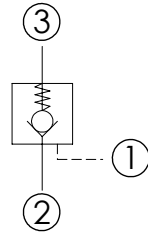
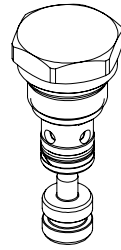
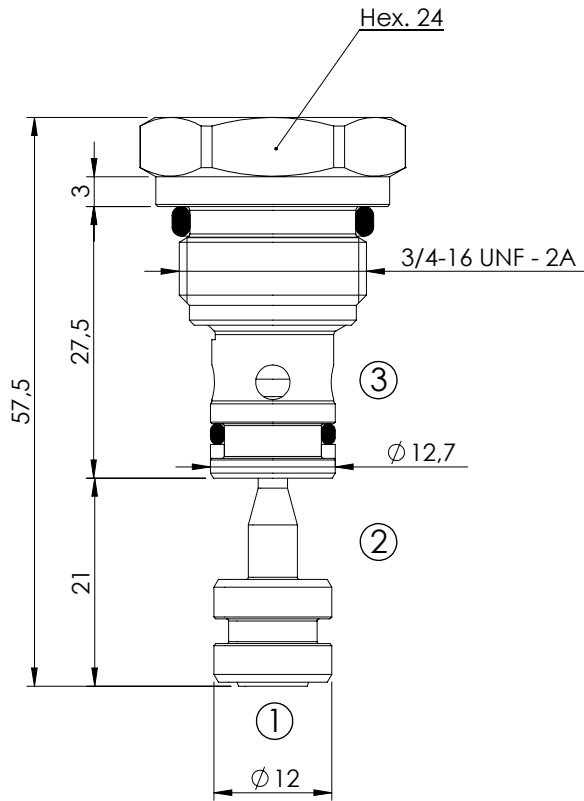


PILOT OPERATED CHECK VALVE

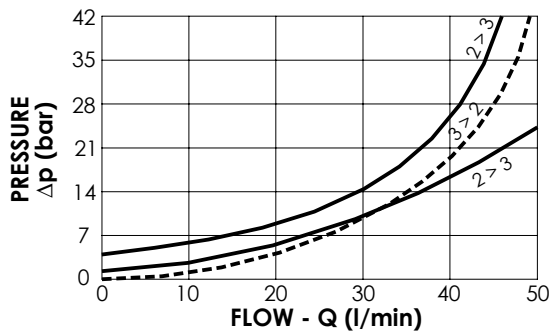
CDPN-050-PSNN

SEPARATE PILOT
PISTON



SPECIFICATIONS

Max. operating pressure:	350 bar
Rated flow:	50 l/min
Cavity:	VP000193
Weight:	0,07 kg
Pilot ratio:	4:1



NOTES

Installation torque:	45 - 52 Nm
Seal kit:	RC700193

ORDERING CODES

Quick code	Description	Cracking pressure (bar)	O-Ring on pilot piston
SC000051	CDPN-050-PSNN-04-193-N001	1	NO
SC000056	CDPN-050-PSNN-04-193-N003	3	NO
SC000057	CDPN-050-PSNE-04-193-N003	3	YES

1	Relief
2	Pressure reducing
3	Sequence
4	Check
5	Pilot operated check
6	Overcentre
7	Regenerative
8	Hydr. motors, actuators & winch valves
9	Motion control
10	Check and metering
11	Shuttle and logic elements
12	Flow dividers & combiners