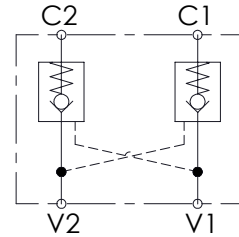
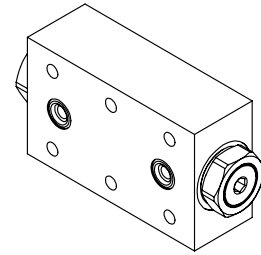
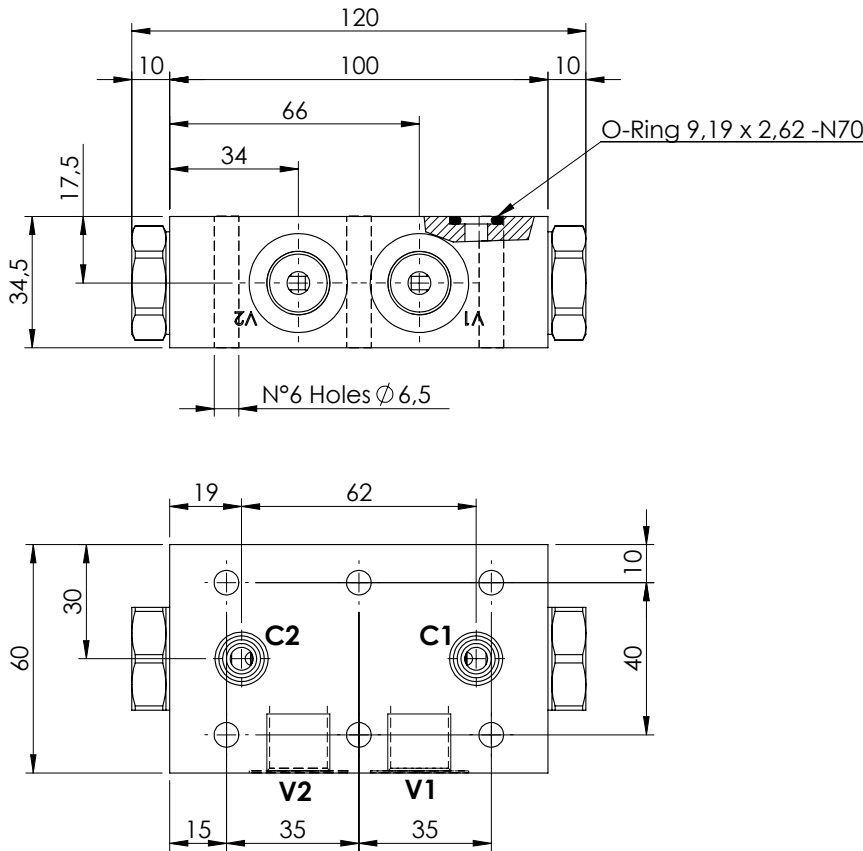


PILOT OPERATED CHECK VALVE

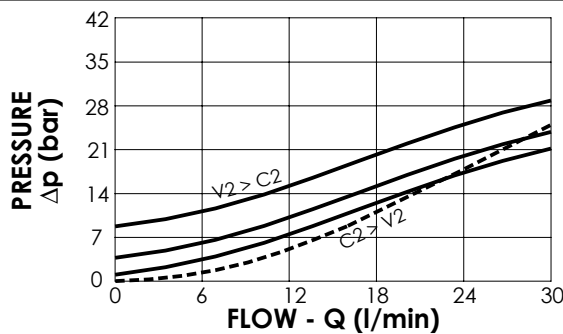
MCDN-030-TBNS

DOUBLE ACTING
TWO FLANGED PORTS



SPECIFICATIONS

Max. operating pressure:	350 bar
Rated flow:	30 l/min
Manifold:	Aluminium
Weight:	0,67 kg



ORDERING CODES

Quick code	Description	Main ports size	Pilot ratio	Cracking pressure (bar)	O-Ring on pilot piston
MC000005	MCDN-030-TBNS-07-G38-N001	V1,V2:G 3/8" C1,C2: Ø 6	7:1	1	NO
MC000012	MCDN-030-TBNS-07-G38-N005	V1,V2:G 3/8" C1,C2: Ø 6	7:1	5	NO
MC000020	MCDN-030-TBNC-07-G38-N005	V1,V2:G 3/8" C1,C2: Ø 6	7:1	5	YES
MC000092	MCDN-030-TBNS-07-G38-N009	V1,V2:G 3/8" C1,C2: Ø 6	7:1	9	NO
MC000195	MCDN-030-TBNC-07-G38-N009	V1,V2:G 3/8" C1,C2: Ø 6	7:1	9	YES