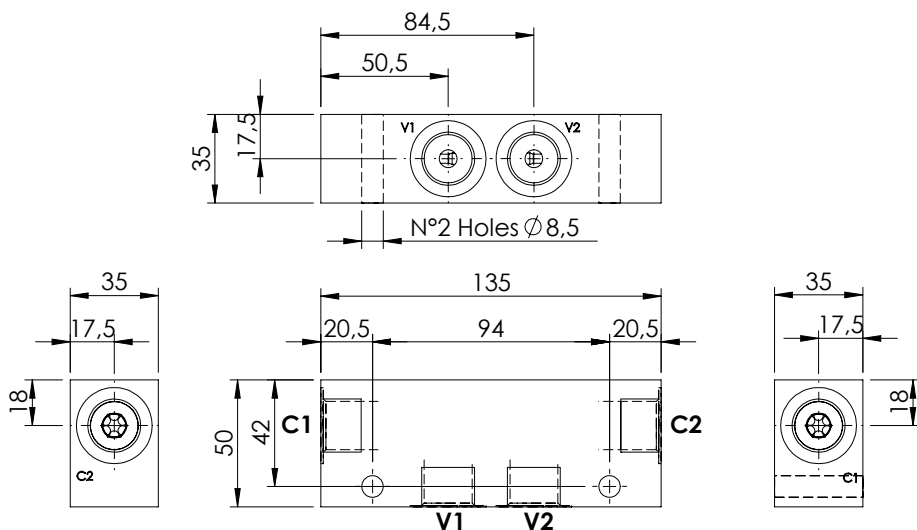


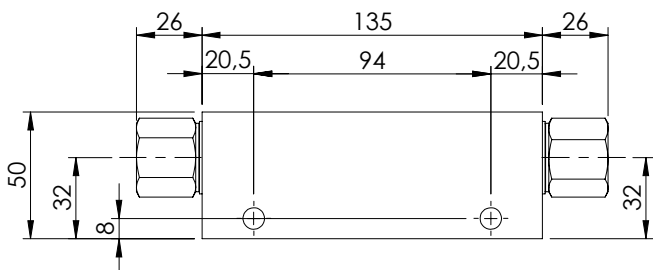
PILOT OPERATED CHECK VALVE

**MCDN-070-SLAS**

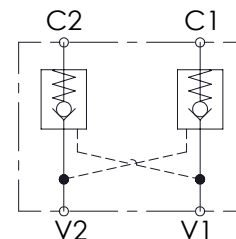
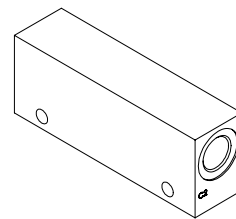
DOUBLE ACTING



MC000099 - STANDARD VERSION

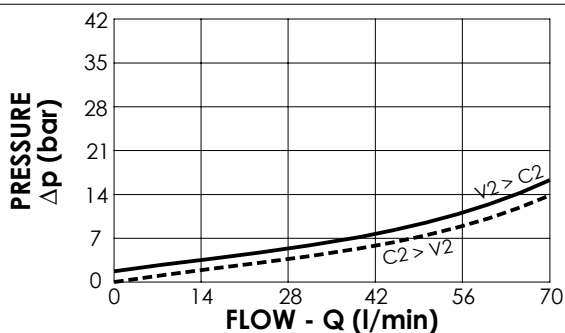


MC000111 - MC000150 - MC000129 - LONG VERSION



**SPECIFICATIONS**

Max. operating pressure:	350 bar
Rated flow:	70 l/min
Manifold:	Aluminium
Weight:	0,60 kg



**ORDERING CODES**

Quick code	Description	Main ports size	Pilot ratio	Cracking pressure (bar)	O-Ring on pilot piston
MC000099	MCDN-070-SLAS-04-G12-N001	G 1/2"	4:1	1	No
MC000111	MCDN-070-SLCS-04-G12-N001	G 1/2"	4:1	1	No
MC000150	MCDN-070-SLCS-04-G12-N008	G 1/2"	4:1	8	No
MC000129	MCDN-070-SLCS-04-G38-N001	G 3/8"	4:1	1	No