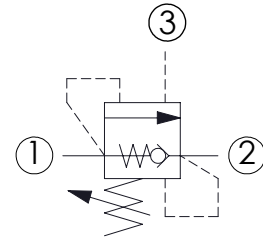
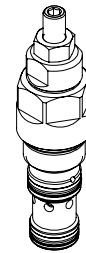
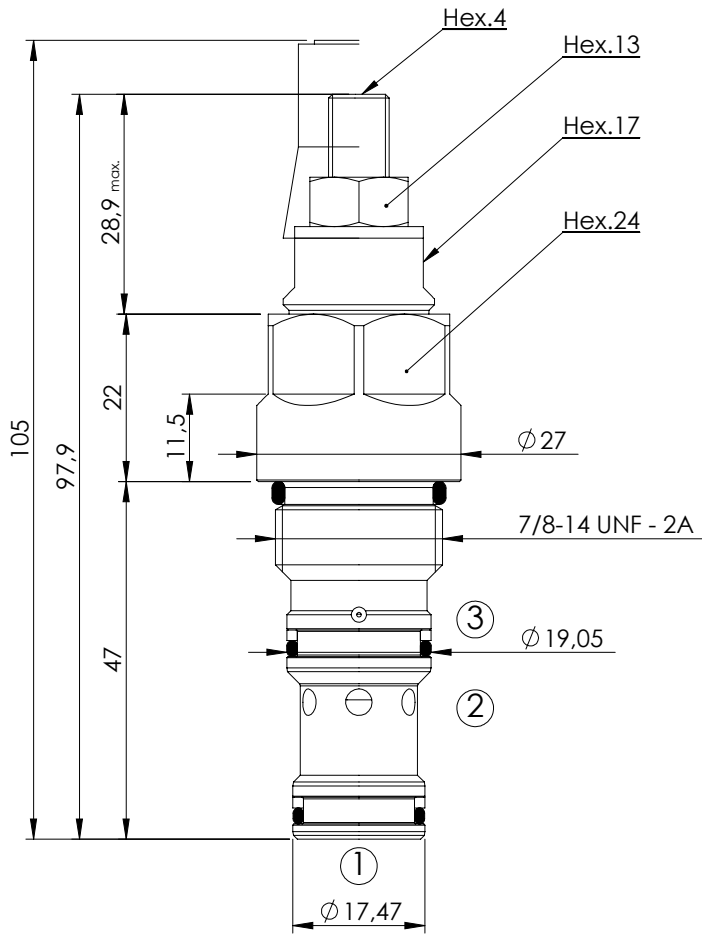


OVERCENTRE VALVE

CBSN-060-DARH

POPPET TYPE
DIFFERENTIAL AREA

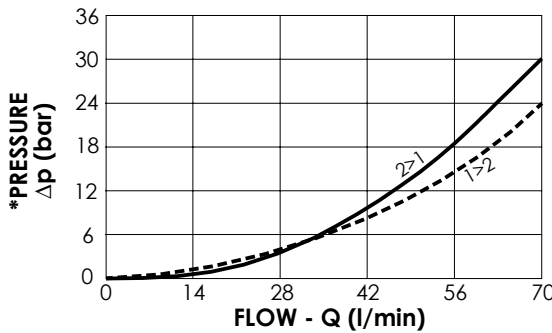
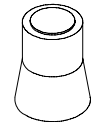


SPECIFICATIONS

Max. operating pressure:	350 bar
Rated flow:	60 l/min
Cavity:	SAE-10-3C
Weight:	0,2 kg

SEALING CAP

Ordering code:
AT000020



NOTES

Setting:	at least 1.3 times the load induced pressure
Installation torque:	50 - 60 Nm
Seal kit:	RA700087

ORDERING CODES

Quick code	Description	Pilot ratio	Standard setting (bar, Q=5 l/min)	Adjust. range (bar)	Pressure increase (bar/turn)
CB000012	CBSN-060-DARH-03-S10-N350	3:1	350	140 - 350	197
CB000033	CBSN-060-DARH-03-S10-N200	3:1	200	70 - 210	147
CB000057	CBSN-060-DARH-08-S10-N350	8:1	350	140 - 350	93
CB000058	CBSN-060-DARH-08-S10-N200	8:1	200	70 - 210	55