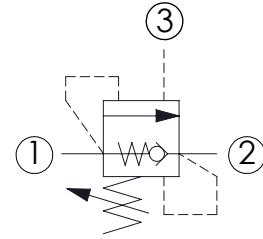
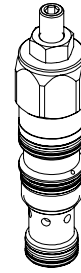
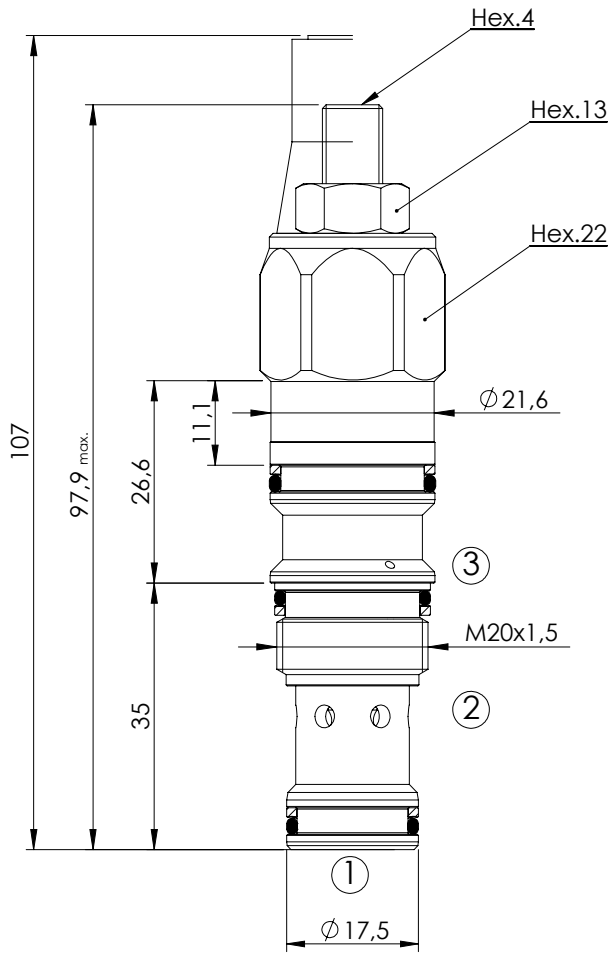


OVERCENTRE VALVE

CBSN-060-DSRH

POPPET TYPE
DIFFERENTIAL AREA

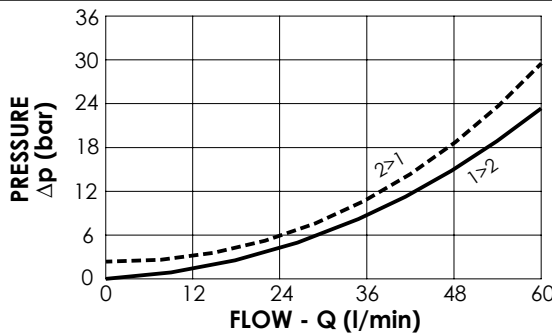
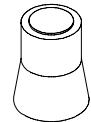


SPECIFICATIONS

Max. operating pressure:	350 bar
Rated flow:	60 l/min
Cavity:	VP000161 (SUN T-11A)
Weight:	0,17 kg

SEALING CAP

Ordering code:
AT000020



NOTES

Setting:	at least 1.3 times the load induced pressure
Installation torque:	40 - 50 Nm
Turn anticlockwise to increase the setting	
Seal kit:	RC700161

ORDERING CODES

Quick code	Description	Pilot ratio	Standard setting (bar, Q=5 l/min)	Adjust. range (bar)	Pressure increase (bar/turn)
CB000024	CBSN-060-DSRH-03-161-N350	3:1	350	140 - 350	197
CB000034	CBSN-060-DSRH-03-161-N200	3:1	200	70 - 210	147
CB000072	CBSN-060-DSRH-08-161-N350	8:1	350	140 - 350	93
CB000073	CBSN-060-DSRH-08-161-N200	8:1	200	70 - 210	55