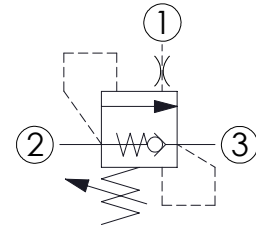
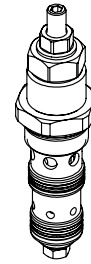
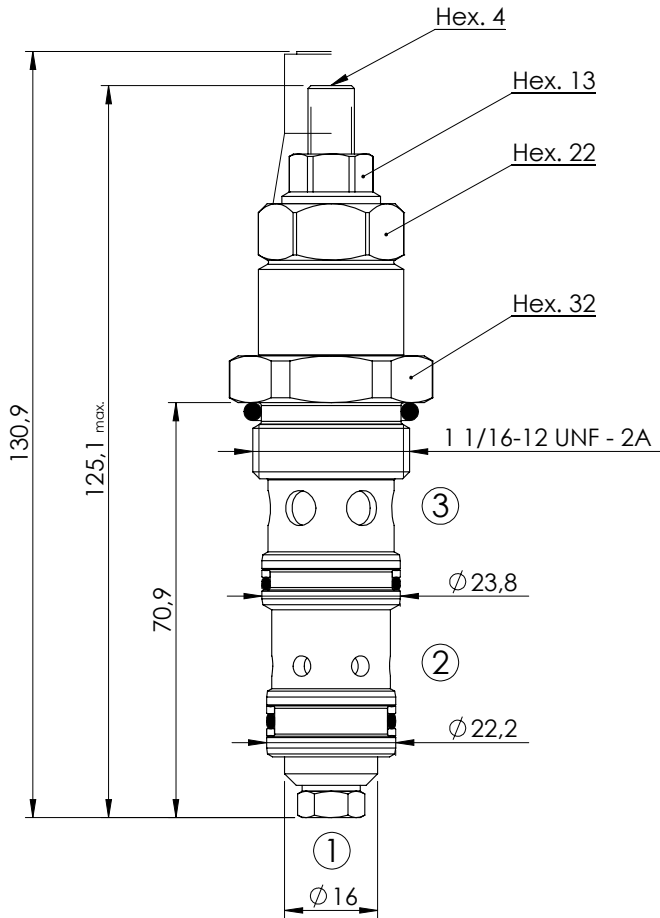


OVERCENTRE VALVE

CBSN-060-DCNH

DIFFERENTIAL AREA

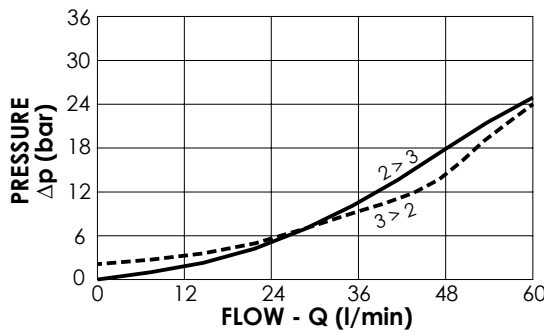
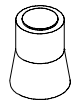


SPECIFICATIONS

Max. operating pressure:	350 bar
Rated flow:	60 l/min
Cavity:	VP000121
Weight:	0,31 kg

SEALING CAP

Ordering code:
AT000020



NOTES

Setting: at least 1.3 times the load induced pressure

Installation torque: 116 - 128 Nm

Seal kit: RD700121

ORDERING CODES

Quick code	Description	Pilot ratio	Standard setting (bar, Q=5 l/min)	Adjust. range (bar)	Pressure increase (bar/turn)
CB000002	CBSN-060-DCNH-04-121-N350	4,2:1	350	100-350	139
CB000003	CBSN-060-DCNH-04-121-N200	4,2:1	200	60-210	62