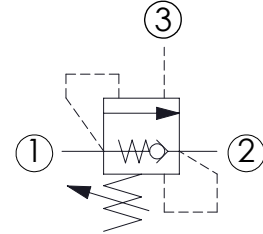
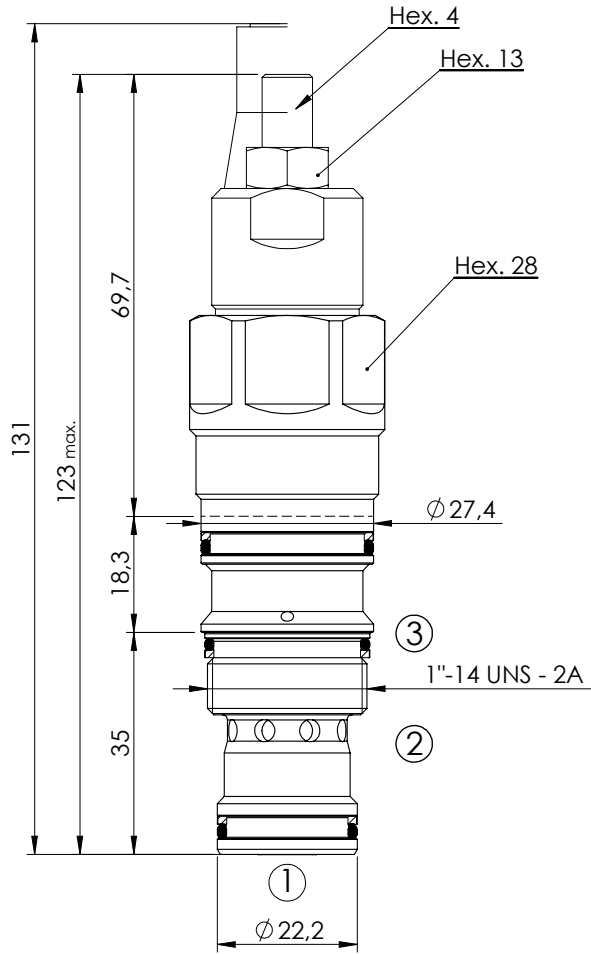


OVERCENTRE VALVE

**CBSN-120-DSRH**

POPET TYPE  
DIFFERENTIAL AREA

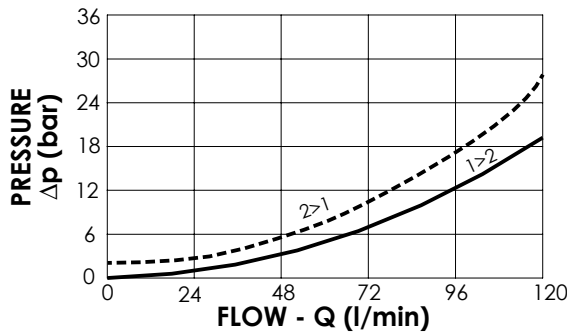
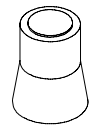


**SPECIFICATIONS**

Max. operating pressure:	350 bar
Rated flow:	120 l/min
Cavity:	VP000165 (SUN T-2A)
Weight:	0,36 kg

**SEALING CAP**

Ordering code:  
AT000020



**NOTES**

- Setting: at least 1.3 times the load induced pressure
- Installation torque: 58 - 68 Nm
- Turn anticlockwise to increase the setting
- Seal kit: RC700165

**ORDERING CODES**

Quick code	Description	Pilot ratio	Standard setting (bar, Q=5 l/min)	Adjust. range (bar)	Pressure increase (bar/turn)
CB000029	CBSN-120-DSRH-04-165-N350	4:1	350	140 - 350	174
CB000035	CBSN-120-DSRH-04-165-N200	4:1	200	70 - 210	58
CB000085	CBSN-120-DSRH-08-165-N350	8:1	350	140 - 350	72
CB000093	CBSN-120-DSRH-08-165-N200	8:1	200	70 - 210	44