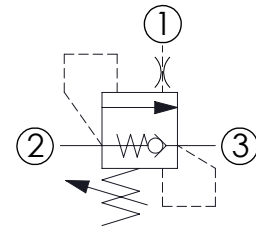
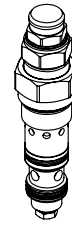
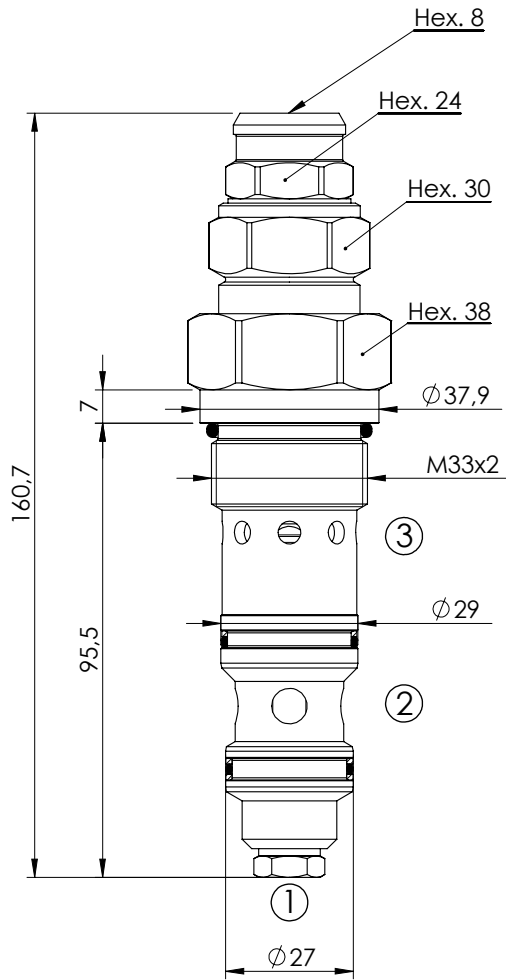


OVERCENTRE VALVE

CBSN-150-DCNH

DIFFERENTIAL AREA

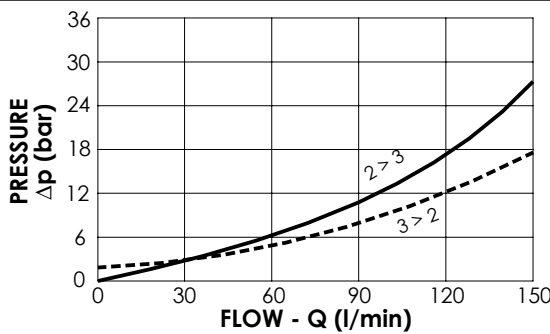
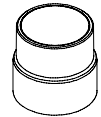


SPECIFICATIONS

Max. operating pressure:	350 bar
Rated flow:	150 l/min
Cavity:	VP000128
Weight:	0,7 kg

SEALING CAP

Ordering code:
ST000012



NOTES

Setting: at least 1.3 times the load induced pressure

Installation torque: 200 - 230 Nm

Seal kit: RD900128

ORDERING CODES

Quick code	Description	Pilot ratio	Standard setting (bar, Q=5 l/min)	Adjust. range (bar)	Pressure increase (bar/turn)
CB000004	CBSN-150-DCNH-04-128-N350	4:1	350	100-350	103
CB000043	CBSN-150-DCNH-08-128-N350	8:1	350	100-350	82