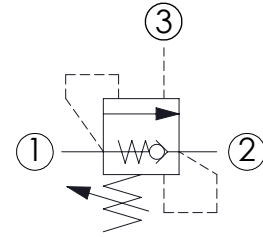
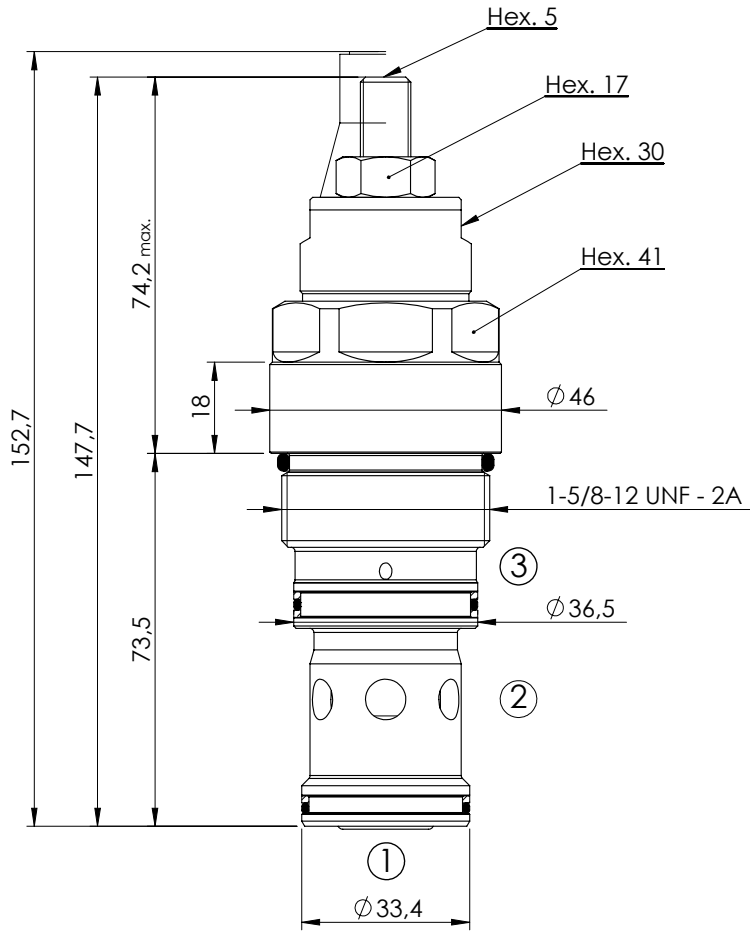


OVERCENTRE VALVE

CBSN-320-DARH

DIFFERENTIAL AREA
POPPET TYPE

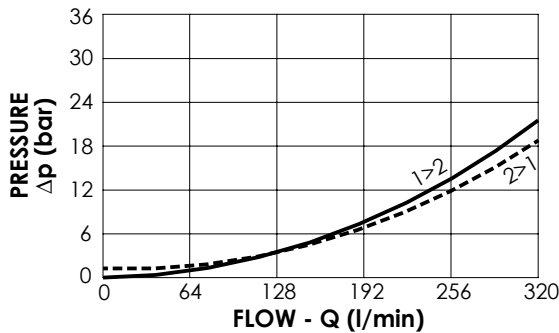
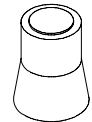


SPECIFICATIONS

Max. operating pressure:	350 bar
Rated flow:	320 l/min
Cavity:	SAE-20-3C
Weight:	0,87 kg

SEALING CAP

Ordering code:
AT000021



NOTES

Setting:	at least 1.3 times the load induced pressure
Installation torque:	280 - 300 Nm
Seal kit:	RB900090

ORDERING CODES

Quick code	Description	Pilot ratio	Standard setting (bar, Q=5 l/min)	Adjust. range (bar)	Pressure increase (bar/turn)
CB000025	CBSN-320-DARH-04-S20-N350	4:1	350	140 - 350	120
CB000026	CBSN-320-DARH-04-S20-N200	4:1	200	70-210	47
CB000027	CBSN-320-DARH-08-S20-N350	8:1	350	140 - 350	87