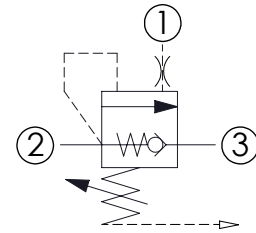
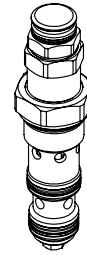
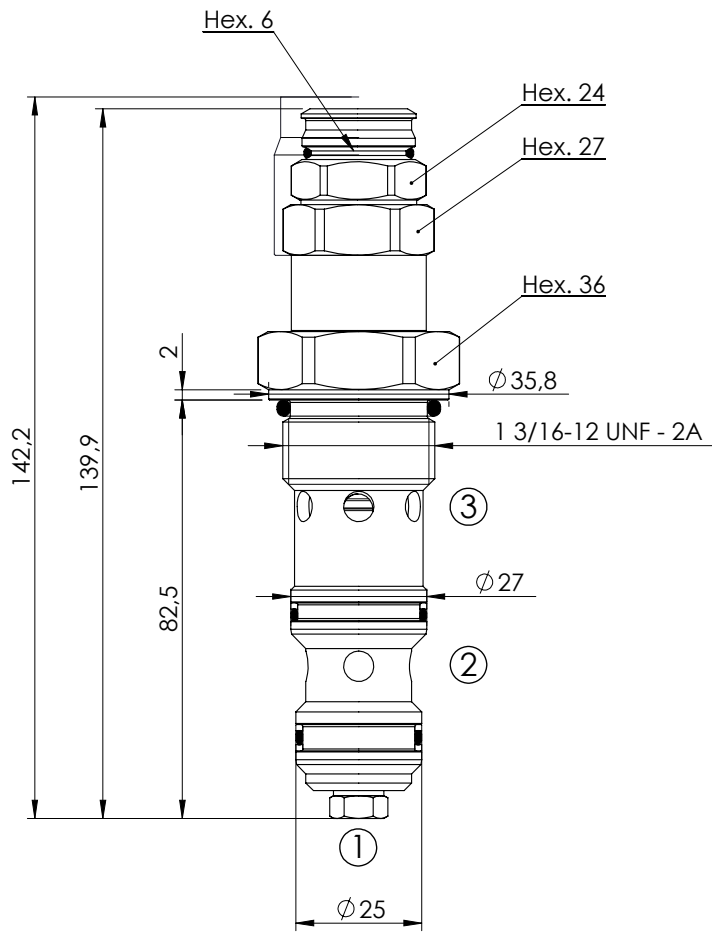


OVERCENTRE VALVE

CBST-100-DCNH

FULLY COMPENSATED

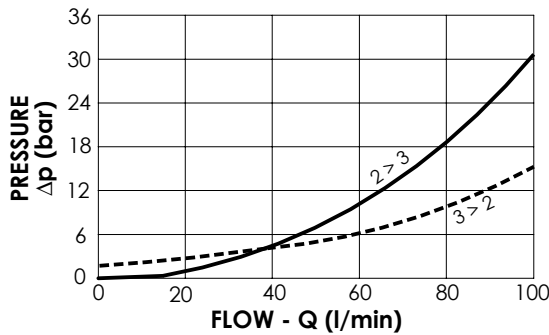
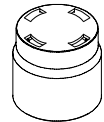


SPECIFICATIONS

Max. operating pressure:	350 bar
Rated flow:	100 l/min
Cavity:	VP000120
Weight:	0,51 kg

SEALING CAP

Ordering code:
PT000243



NOTES

Setting:	at least 1.3 times the load induced pressure
Installation torque:	140 - 195 Nm
Seal kit:	RD700120

ORDERING CODES

Quick code	Description	Pilot ratio	Standard setting (bar, Q=5 l/min)	Adjust. range (bar)	Pressure increase (bar/turn)
CB000001	CBST-100-DCNH-04-120-N350	3,8:1	350	100-350	118
CB000102	CBST-100-DCNH-08-120-N350	8:1	350	100-350	205