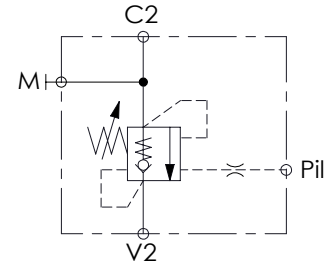
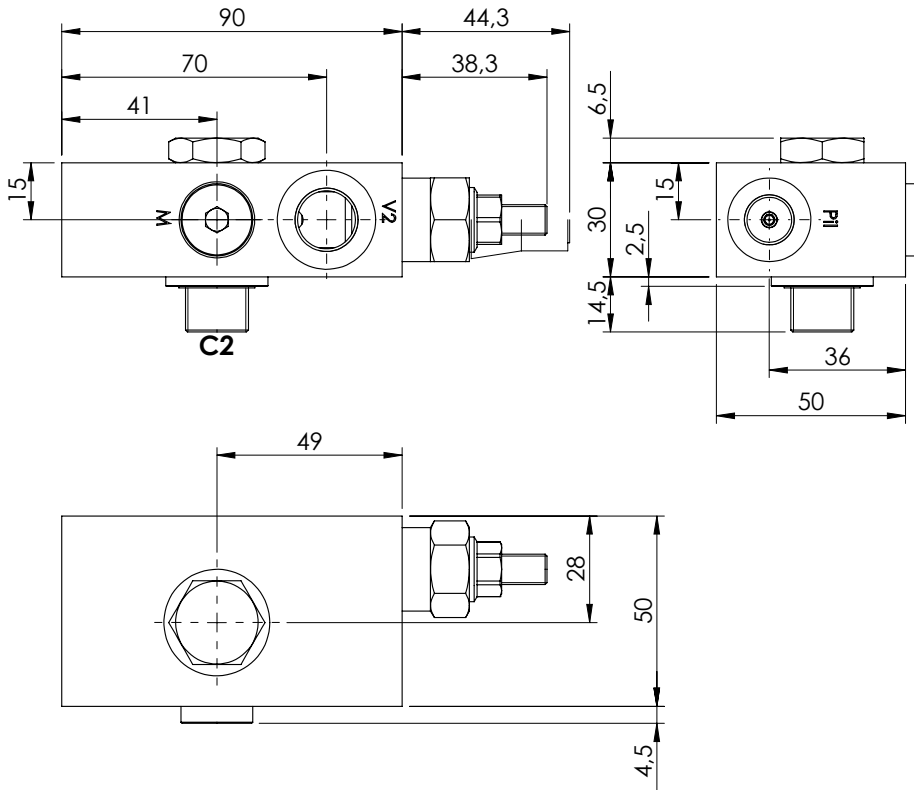
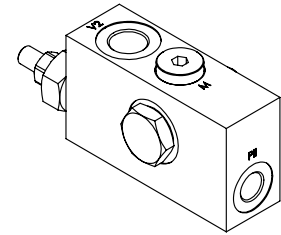


OVERCENTRE VALVE

MBSN-040-APNR

SINGLE ACTING
BANJO MOUNTING

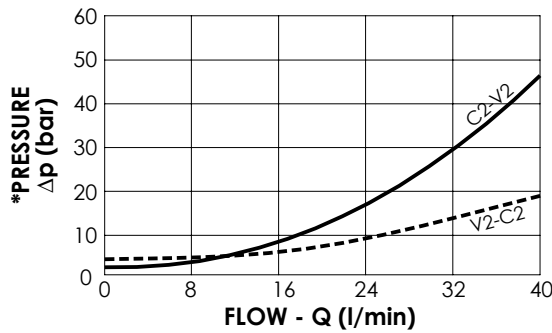
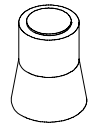


SPECIFICATIONS

Max. operating pressure:	350 bar
Rated flow:	40 l/min
Manifold:	Steel
Weight:	1,07 kg

SEALING CAP

Ordering code:
AT000020



NOTES

Setting: at least 1.3 times the load induced pressure

ORDERING CODES

Quick code	Description	Pilot ratio	Main ports size	Standard setting (bar, Q=5 l/min)	Adjust. range (bar)	Pressure increase (bar/turn)
MB000469	MBSN-040-APNR-04-G38-N350	4,1:1	C2,V2: G3/8" M,Pil: G1/4"	350	100-350	184
MB000578	MBSN-040-APNR-04-G38-N200	4,1:1	C2,V2: G3/8" M,Pil: G1/4"	200	60-210	83
MB000840	MBSN-040-APNR-08-G38-N350	8:1	C2,V2: G3/8" M,Pil: G1/4"	350	100-350	138