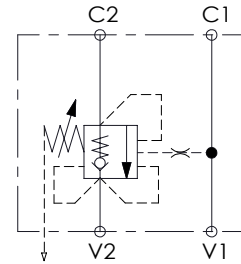
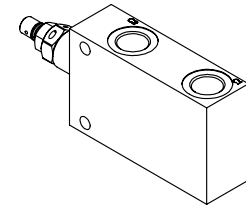
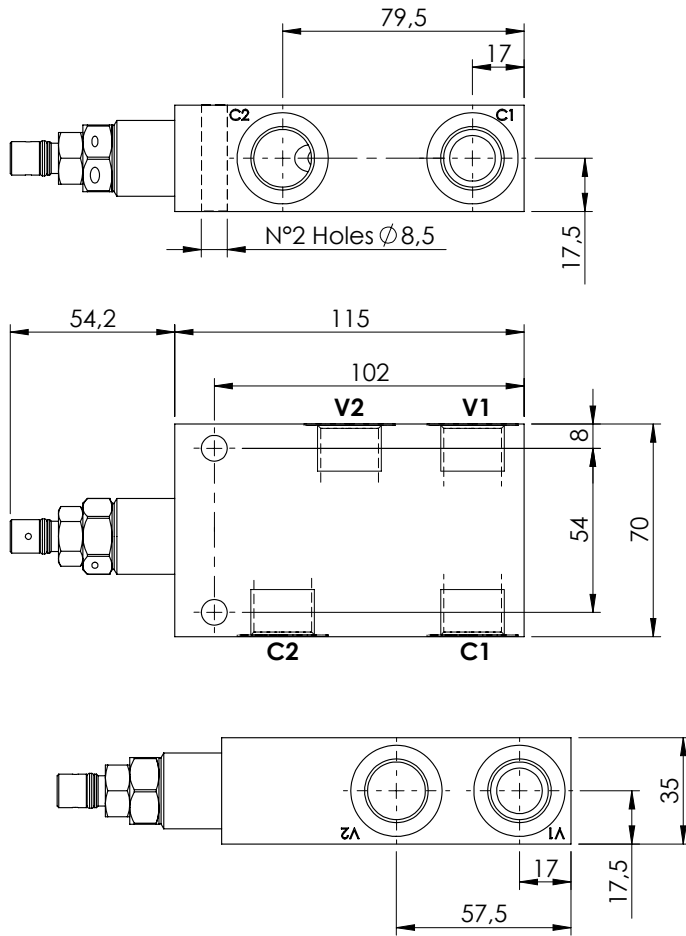


OVERCENTRE VALVE

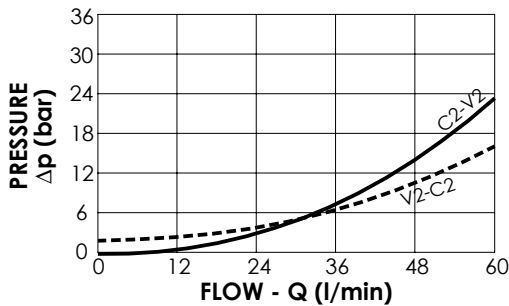
**MBSP-060-ZLSE**

**SINGLE ACTING  
RELIEF COMPENSATED**



**SPECIFICATIONS**

Max. operating pressure:	350 bar
Rated flow:	60 l/min
Manifold:	Aluminium
Weight:	0,8 Kg



**NOTES**

Setting: at least 1.3 times the load induced pressure

**ORDERING CODES**

Quick code	Description	Pilot ratio	Main ports size	Standard setting (bar, Q=5 l/min)	Adjust. range (bar)	Pressure increase (bar/turn)
MB000722	MBSP-060-ZLSE-04-G12-N350	4,2:1	V1, V2: G1/2" C1, C2: G1/2"	350	100-350	138