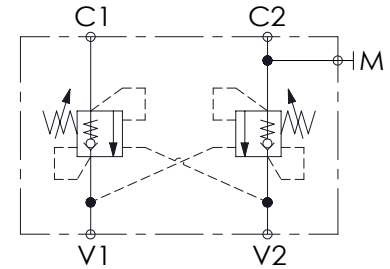
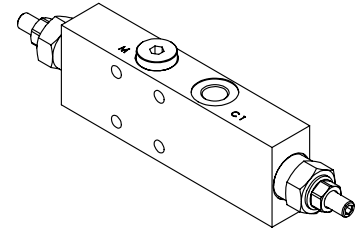
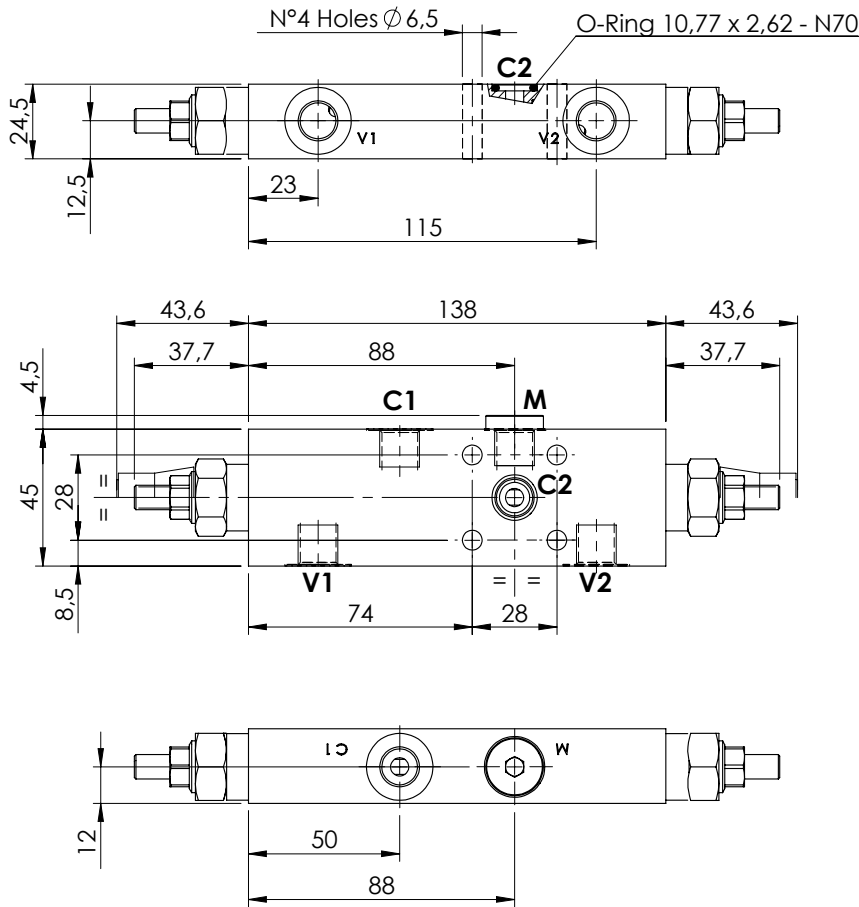


OVERCENTRE VALVE

MBDN-040-AANR

**DOUBLE ACTING
ONE FLANGED PORT**

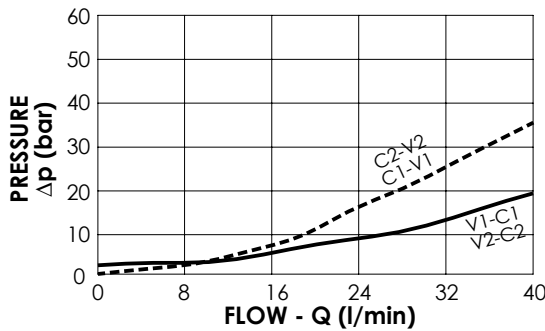
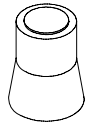


SPECIFICATIONS

| | |
|--------------------------|----------|
| Max. operating pressure: | 350 bar |
| Rated flow: | 40 l/min |
| Manifold: | Steel |
| Weight: | 1,2 kg |

SEALING CAP

Ordering code:
AT000020



NOTES

Setting: at least 1.3 times the load induced pressure

ORDERING CODES

| Quick code | Description | Pilot ratio | Main ports size | Standard setting (bar, Q=5 l/min) | Adjust. range (bar) | Pressure increase (bar/turn) |
|------------|---------------------------|-------------|----------------------------------|-----------------------------------|---------------------|------------------------------|
| MB000106 | MBDN-040-AANR-04-G14-N350 | 4,1:1 | V1, V2: G1/4" C1: G1/4" C2:Ø6 | 350 | 100-350 | 184 |
| MB000583 | MBDN-040-AANR-07-G14-N350 | 7,5:1 | V1, V2: G1/4" C1: G1/4" C2:Ø6 | 350 | 100-350 | 138 |
| | | | | | | |
| | | | | | | |
| | | | | | | |