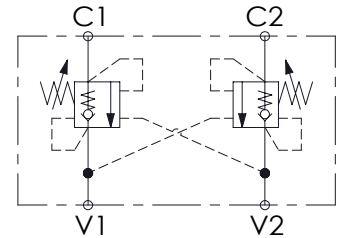
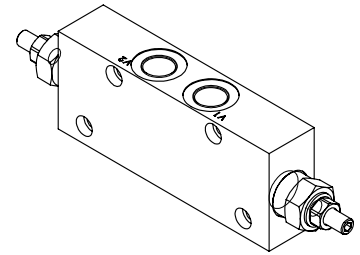
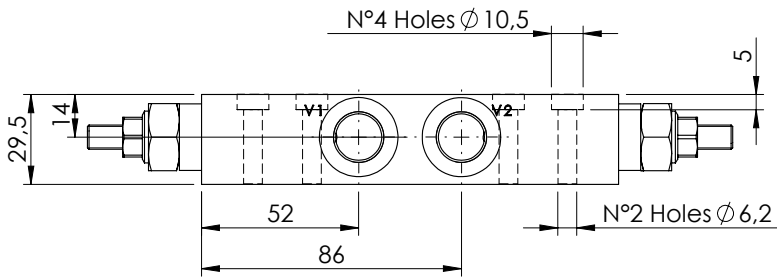
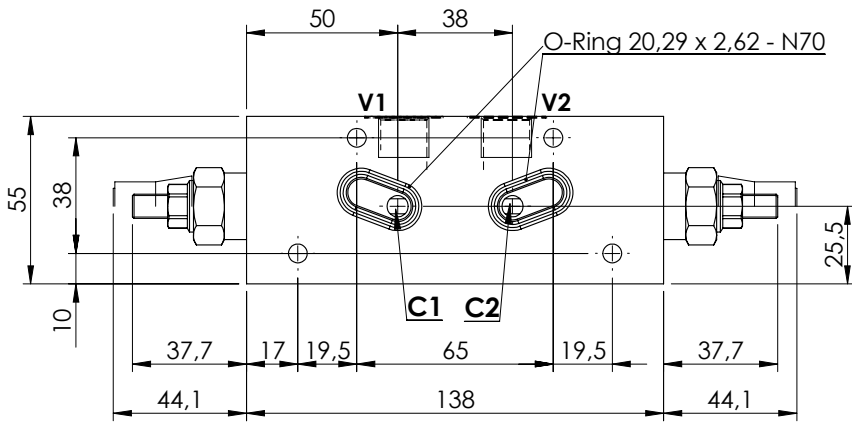


OVERCENTRE VALVE

**MBDN-040-LBNN**

**DOUBLE ACTING  
TWO FLANGED PORTS**

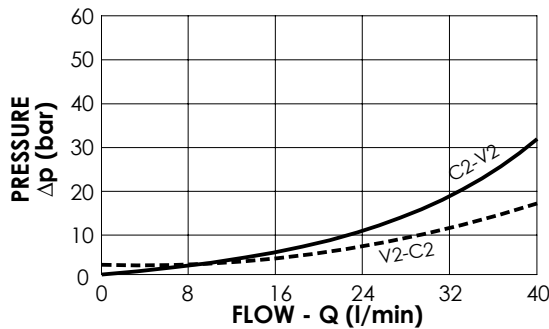
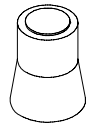


**SPECIFICATIONS**

Max. operating pressure:	350 bar
Rated flow:	40 l/min
Manifold:	Aluminium
Weight:	0,72 kg

**SEALING CAP**

Ordering code:  
AT000020



**NOTES**

Setting: at least 1.3 times the load induced pressure

**ORDERING CODES**

Quick code	Description	Pilot ratio	Main ports size	Standard setting (bar, Q=5 l/min)	Adjust. range (bar)	Pressure increase (bar/turn)
MB000410	MBDN-040-ZBNN-04-G38-N350	4,1:1	V1,V2: G3/8" C1,C2: Ø 7	350	100-350	184
MB000411	MBDN-040-LBNN-04-G38-N200	4,1:1	V1,V2: G3/8" C1,C2: Ø 7	200	60-210	83
MB000412	MBDN-040-LBNN-07-G38-N350	7,5:1	V1,V2: G3/8" C1,C2: Ø 7	350	100-350	138
MB000413	MBDN-040-LBNN-07-G38-N200	7,5:1	V1,V2: G3/8" C1,C2: Ø 7	200	60-210	80