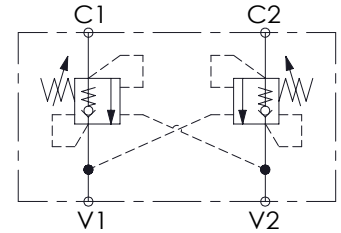
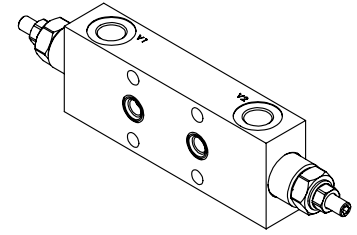
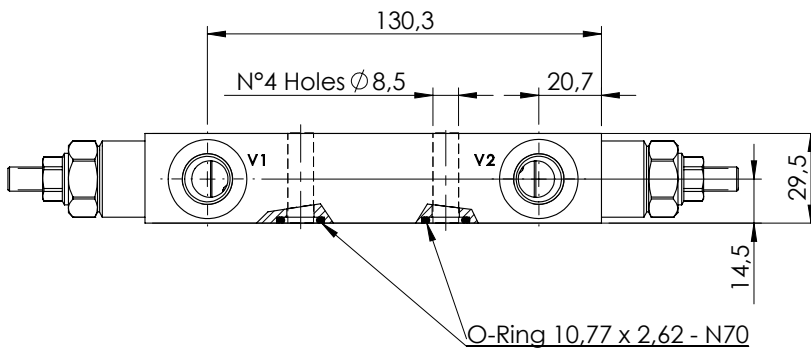
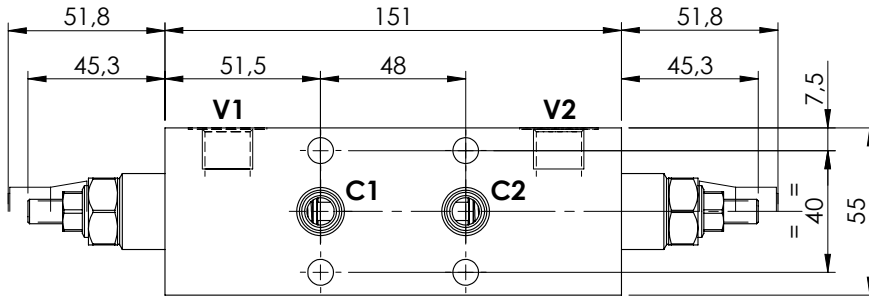


OVERCENTRE VALVE

**MBDN-060-ABNR**

DOUBLE ACTING  
TWO FLANGED PORTS

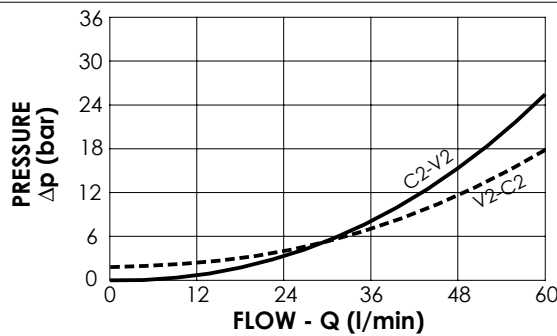
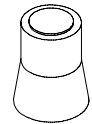


**SPECIFICATIONS**

Max. operating pressure:	350 bar
Rated flow:	60 l/min
Manifold:	Steel
Weight:	1,89 kg

**SEALING CAP**

Ordering code:  
AT000020



**NOTES**

Setting: at least 1.3 times the load induced pressure

**ORDERING CODES**

Quick code	Description	Pilot ratio	Main ports size	Standard setting (bar, Q=5 l/min)	Adjust. range (bar)	Pressure increase (bar/turn)
MB000235	MBDN-060-ABNR-11-G38-N250	11:1	V1, V2: G3/8" C1, C2: Ø 9	200	60-250	69
MB000087	MBDN-060-ABNR-04-G38-N350	4,2:1	V1, V2: G3/8" C1, C2: Ø 9	350	100-350	138
MB000178	MBDN-060-ABNR-04-G38-N200	4,2:1	V1, V2: G3/8" C1, C2: Ø 9	200	60-210	62
MB000826	MBDN-060-ABNR-07-G38-N350	7:1	V1, V2: G3/8" C1, C2: Ø 9	350	100-350	106