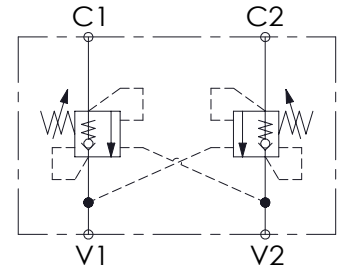
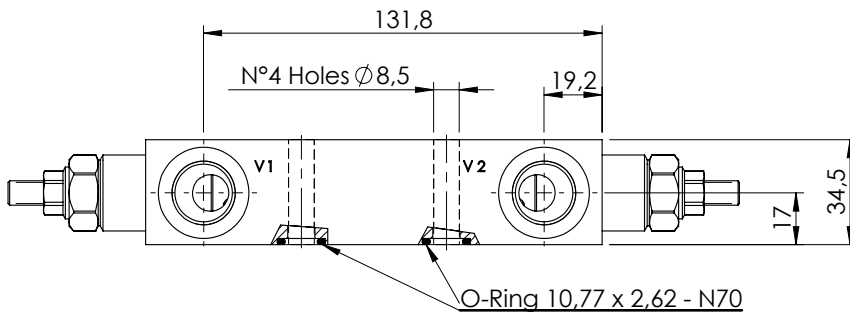
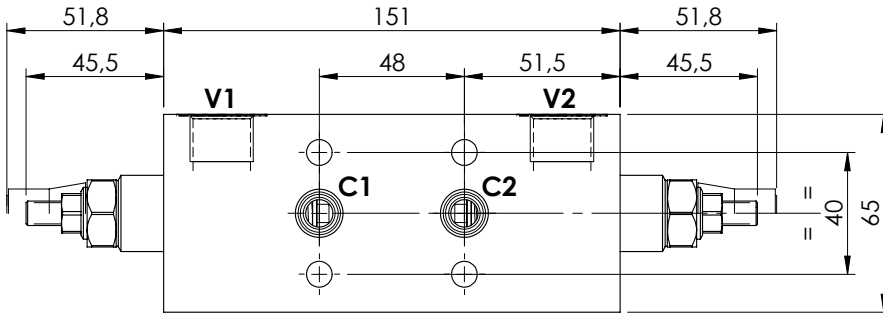
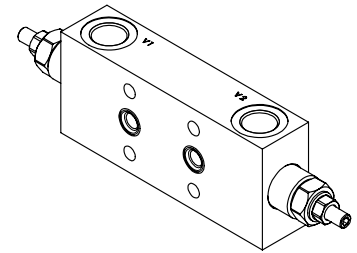


OVERCENTRE VALVE

MBDN-060-ABNR

**DOUBLE ACTING,
TWO FLANGED PORTS**

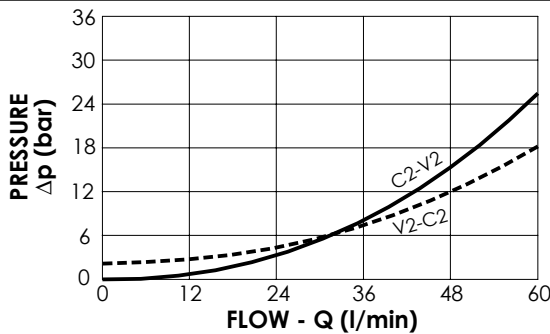


SPECIFICATIONS

Max operating pressure:	420 bar
Rated flow:	60 l/min
Manifold :	Steel
Weight:	2,57 kg

SEALING CAP

Ordering code:
AT000020



NOTES

Setting: at least 1.3 times the load induced pressure

ORDERING CODES

Quick code	Description	Pilot ratio	Main ports size	Standard setting (bar, Q=5 l/min)	Pressure range (bar)	Pressure increase (bar/turn)
MB000016	MBDN-060-ABNR-04-G12-N350	4,2:1	V1, V2: G1/2" C1, C2: Ø9	350	100-350	138
MB000228	MBDN-060-ABNR-04-G12-N200	4,2:1	V1, V2: G1/2" C1, C2: Ø9	200	60-210	62
MB000229	MBDN-060-ABNR-11-G12-N200	11:1	V1, V2: G1/2" C1, C2: Ø9	200	60-250	69
MB000380	MBDN-060-ABNR-11-G12-N350	11:1	V1, V2: G1/2" C1, C2: Ø9	350	150-420	161