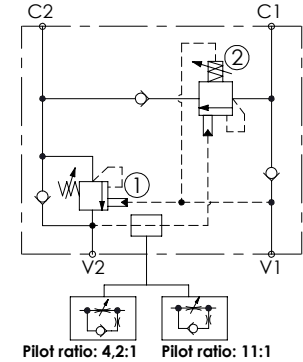
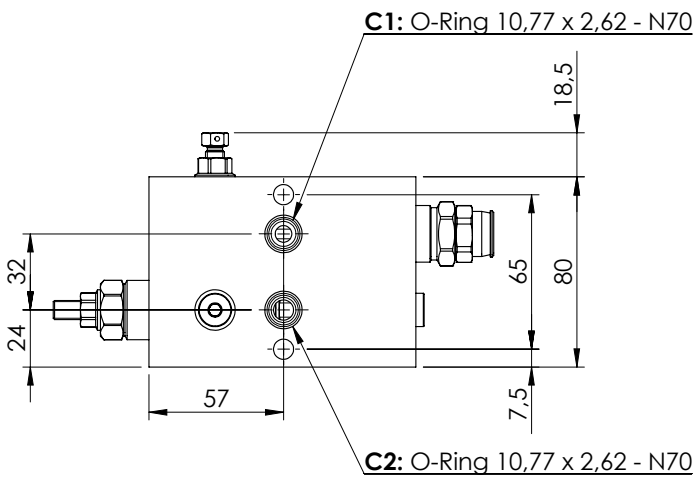
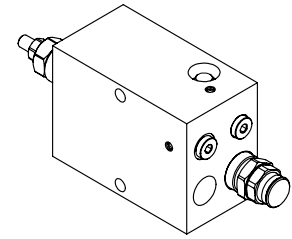
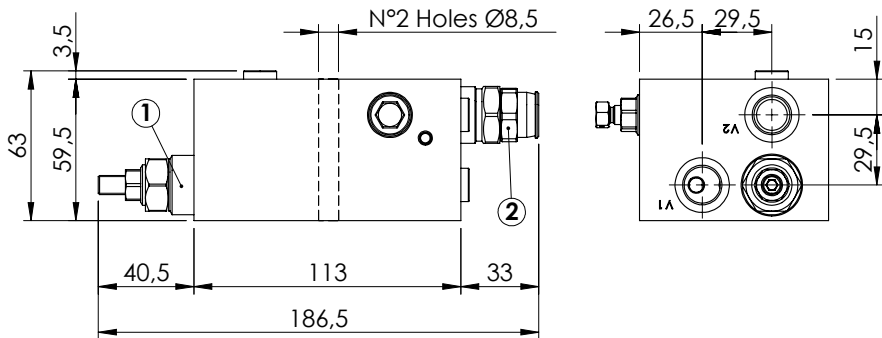


REGENERATIVE VALVE

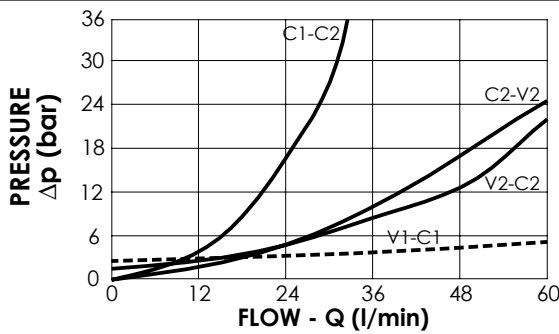
MRSN-060-ZBNV

REGENERATIVE



SPECIFICATIONS

Max. operating pressure:	350 bar
Rated flow:	60 l/min
Manifold:	Aluminium
Weight:	1,6 kg



NOTES

Setting: at least 1.3 times the load induced pressure
 Designed for aerial platforms

ORDERING CODES

Quick code	Description	Pilot ratio	Main ports size	Standard setting (bar, Q=5 l/min)	Adjust. range (bar)	Pressure increase (bar/turn)
MB000035	MRSN-060-ZBNV-11-G38-N350	11:1	V1,V2: G3/8" C1,C2: Ø 7	350	100-350	69
MB000085	MRSN-060-ZBNV-04-G38-N350	4,2:1	V1,V2: G3/8" C1,C2: Ø 7	350	100-350	139