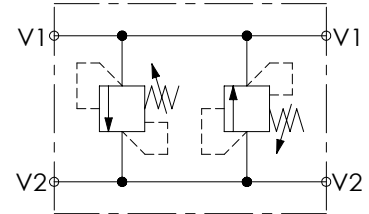
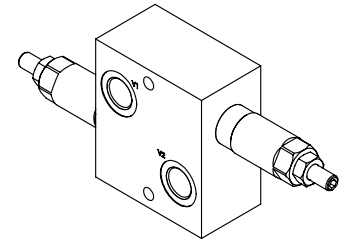
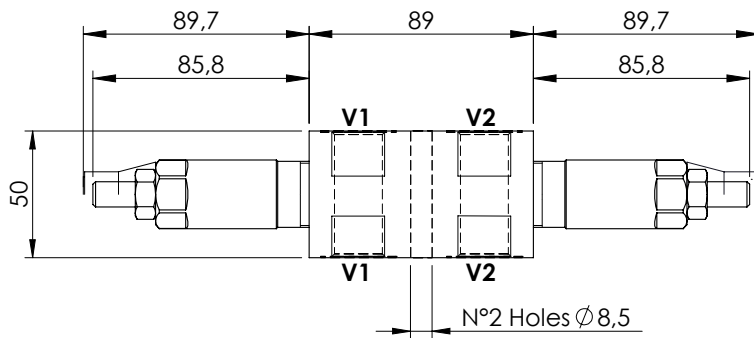
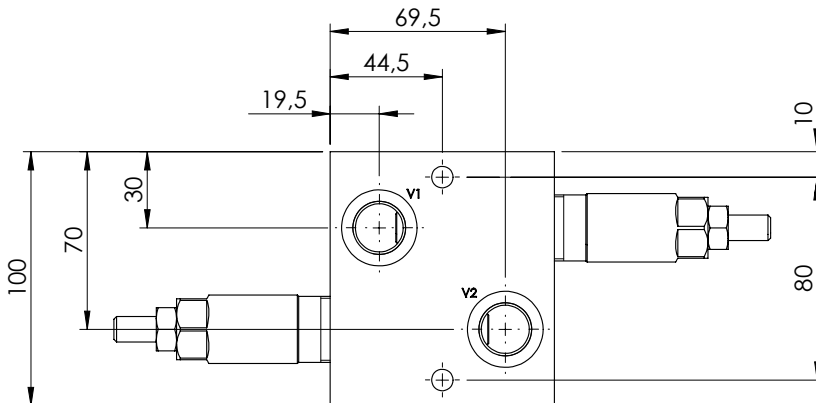


VALVES FOR MOTORS OR HYDRAULIC ACTUATORS

MADN-080-TLNR

DOUBLE ANTISHOCK

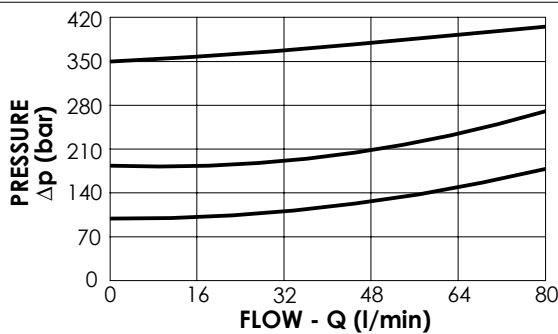
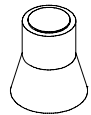


SPECIFICATIONS

Max. operating pressure:	350 bar
Rated flow:	80 l/min
Manifold:	Aluminium
Weight:	1,62 kg

SEALING CAP

Ordering code:
AT000021



ORDERING CODES

Quick code	Description	Main ports size	Standard setting (bar, Q=5 l/min)	Adjust. range (bar)	Pressure increase (bar/turn)
MA000026	MADN-080-TLNR-HN-G12-N350	V1,V2 : G 1/2"	350	100-350	42
MA000025	MADN-080-TLNR-HN-G12-N200	V1,V2 : G 1/2"	200	60-210	24
MA000021	MADN-080-TLNR-HN-G12-N100	V1,V2 : G 1/2"	100	25-100	13