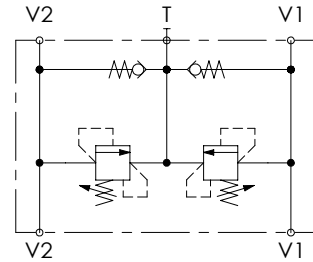
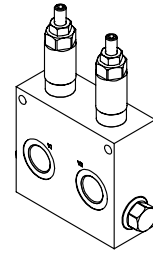
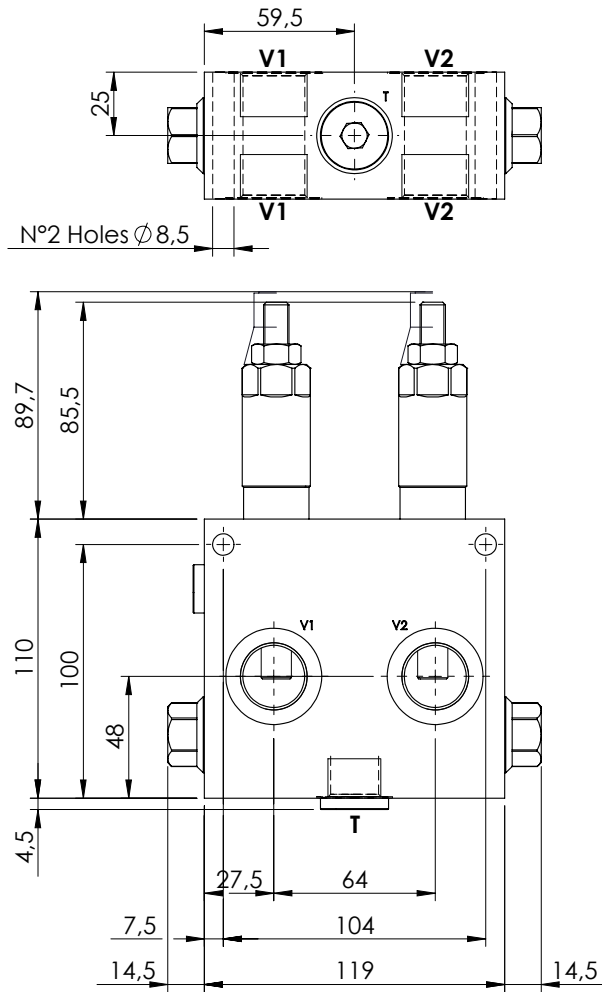


VALVES FOR MOTORS OR HYDRAULIC ACTUATORS

MADN-080-LLNR

DUAL CROSS OVER
ANTICAVITATION RELIEF

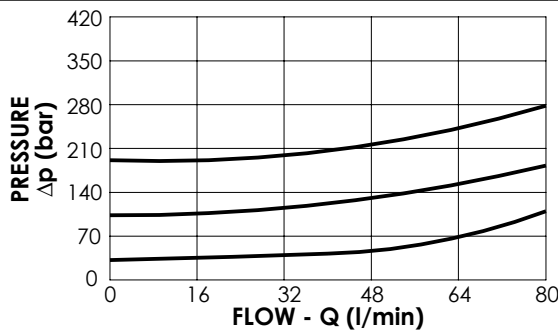
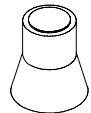


SPECIFICATIONS

Max. operating pressure:	250 bar
Rated flow:	80 l/min
Manifold:	Aluminium
Weight:	2,28 kg

SEALING CAP

Ordering code:
AT000021



V1 - T
V2 - T

NOTES

Setting: at least 1.3 times the load induced pressure

ORDERING CODES

Quick code	Description	Main ports size	Standard setting (bar, Q=5 l/min)	Adjust. range (bar)	Pressure increase (bar/turn)
MA000018	MADN-080-LLNR-HN-G34-N200	V1,V2: G3/4" T: G1/2"	200	60-210	24
MA000023	MADN-080-LLNR-HN-G34-N100	V1,V2: G3/4" T: G1/2"	100	25-100	13
MA000024	MADN-080-LLNR-HN-G34-N050	V1,V2: G3/4" T: G1/2"	50	5-50	9