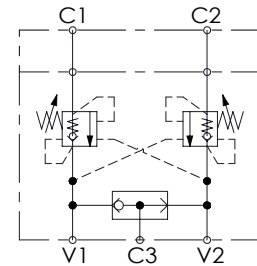
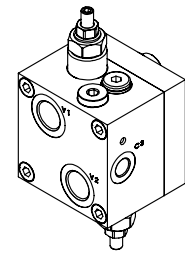
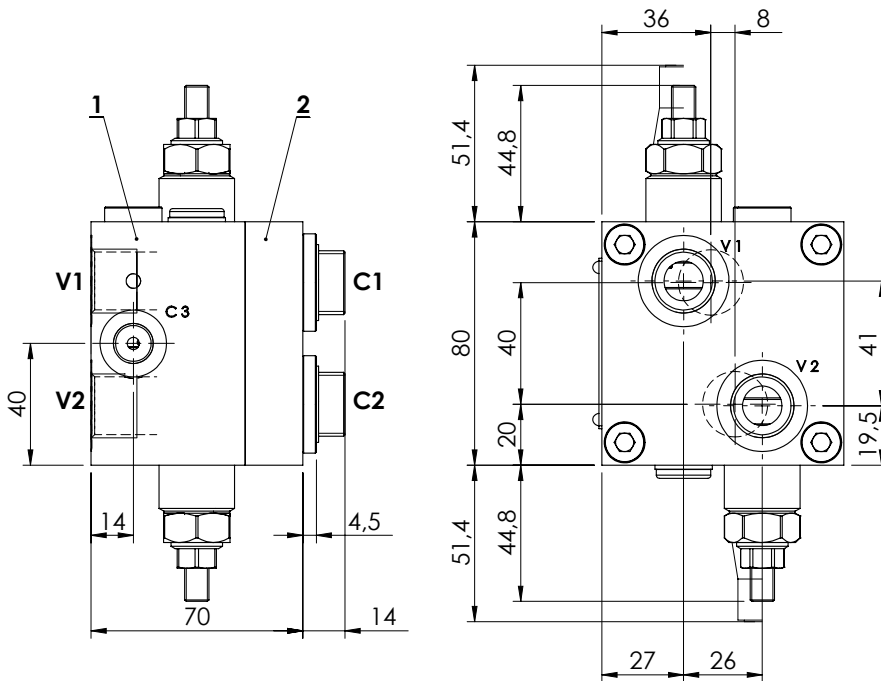


VALVES FOR MOTORS

MBDN-060-AMSF

**OVERCENTRE
WITH BRAKE RELEASE**

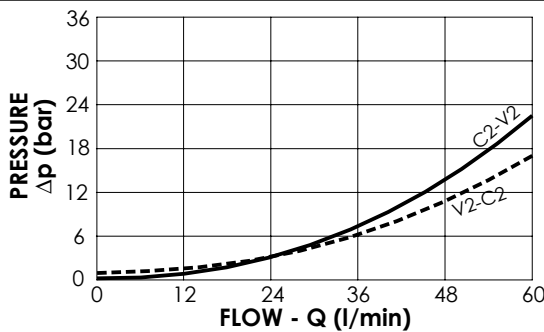
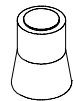


SPECIFICATIONS

Max. operating pressure:	350 bar
Rated flow:	60 l/min
Manifold:	Steel
Weight:	3,44 kg

SEALING CAP

Ordering code:
AT000020



NOTES

Setting: at least 1.3 times the load induced pressure

Designed for SAM HYDRAULIK BR motors

Valve composed by:
1.MB000619
2.MP000034

ORDERING CODES

Quick code	Description	Pilot ratio	Main ports size	Standard setting (bar, Q=5 l/min)	Adjust. range (bar)	Pressure increase (bar/turn)
MB000317	MBDN-060-AMSF-04-G12-N200-SH BR	4,2:1	V1,V2: G 1/2" C1,C2: Sam Hydraulik flange C3: G 1/4"	200	60-210	62