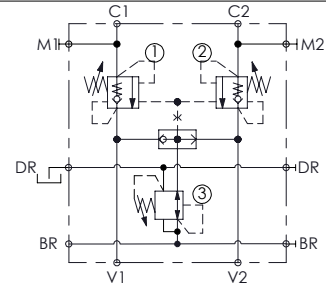
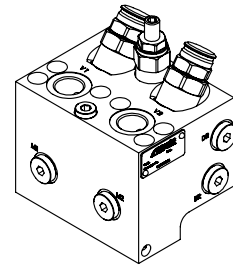
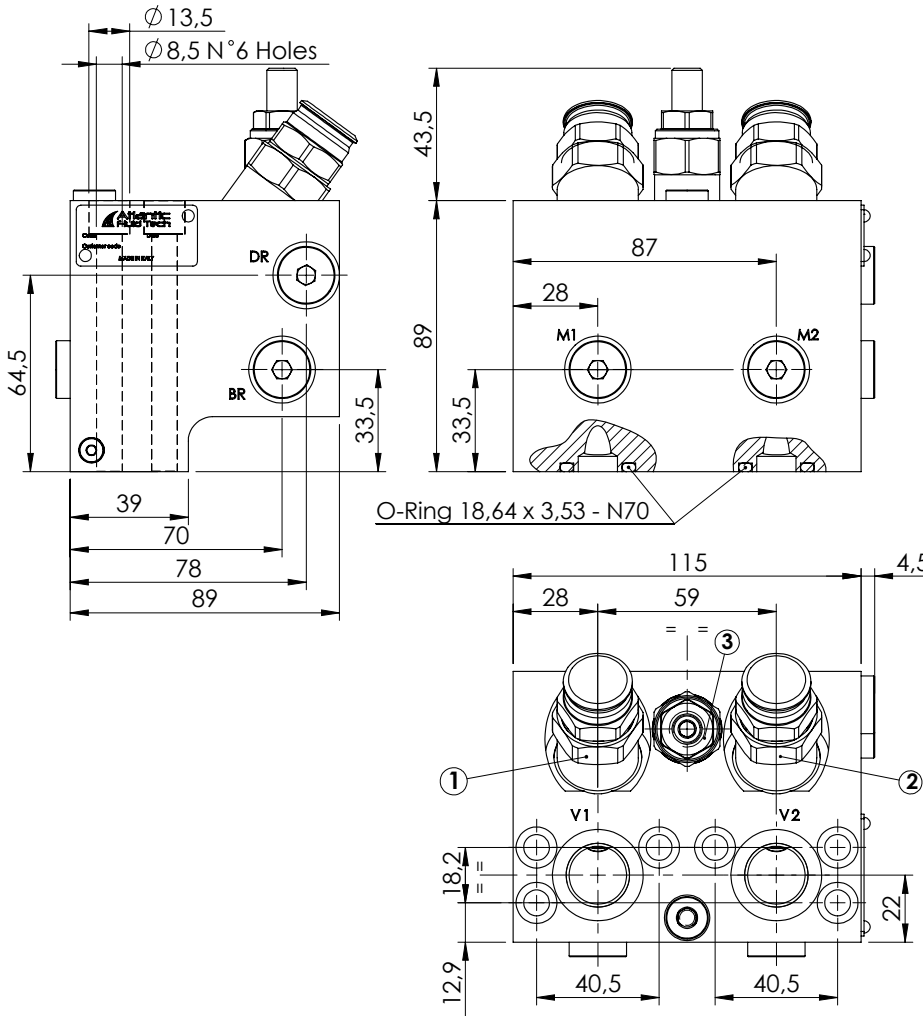


VALVES FOR MOTORS

MBDN-100-AMSR

**OVERCENTRE
WITH BRAKE RELEASE**

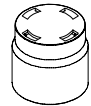


SPECIFICATIONS

Max. operating pressure:	420 bar
Rated flow:	100 l/min
Manifold:	Steel
Weight:	5,83 kg

SEALING CAP

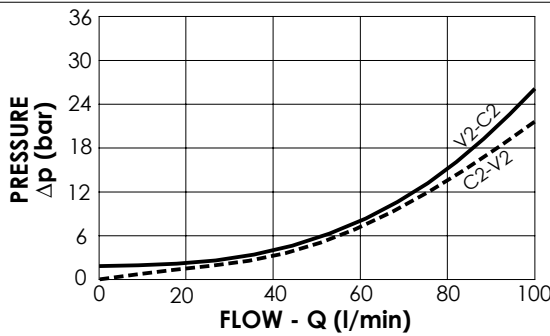
Ordering code:
PT000243



NOTES

Setting: at least 1.3 times the load induced pressure

Designed for REXROTH A2FE 28-32 motors



ORDERING CODES

Quick code	Description	Pilot ratio	Main ports size	Standard setting (bar, Q=5 l/min)	Adjust. range (bar)	Pressure increase (bar/turn)
MB000484	MBDN-100-AMSR-04-S12-N420	3,8:1	V1,V2: G1/2" C1,C2: 1/2" SAE 6000 DR,BR,M1,M2: G1/4"	①②:350 ③:40	①②:100-350 ③:10-60	①②:118 ③:6
MB000766	MBDN-100-AMSR-08-S12-N420	8:1	V1,V2: G1/2" C1,C2: 1/2" SAE 6000 DR,BR,M1,M2: G1/4"	①②:350 ③:40	①②:100-350 ③:10-60	①②:132 ③:6