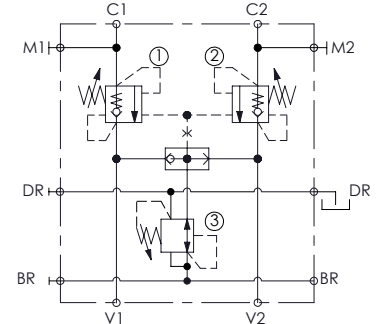
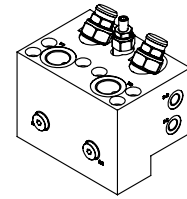
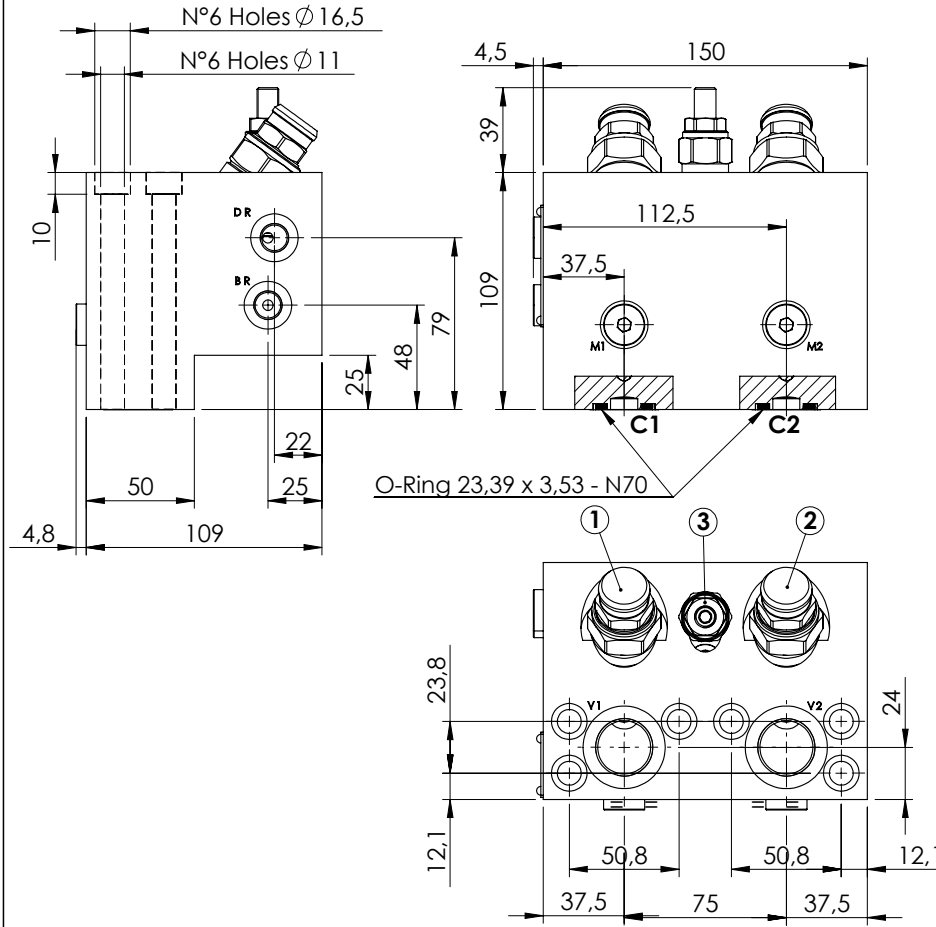


VALVES FOR MOTORS

**MBDN-150-AMSR**

**OVERCENTRE  
WITH BRAKE RELEASE**

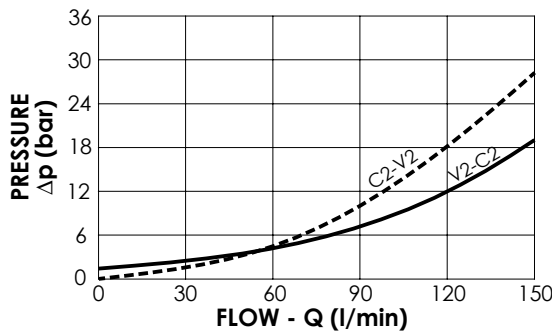


**SPECIFICATIONS**

Max. operating pressure:	420 bar
Rated flow:	150 l/min
Manifold:	Steel
Weight:	11 kg

**SEALING CAP**

Ordering code:  
ST000012



**NOTES**

Setting: at least 1.3 times the load induced pressure  
Designed for REXROTH A2FE 45-56-63 motors

**ORDERING CODES**

Quick code	Description	Pilot ratio	Main ports size	Standard setting (bar, Q=5 l/min)	Adjust. range (bar)	Pressure increase (bar/turn)
MB000347	MBDN-150-AMSR-04-S34-N420	4:1	V1,V2:G3/4" C1,C2:3/4" SAE 6000 BR,DR,M1,M2:G1/4"	①②: 350 ③: 30	①②:100-350 ③: 10-60	①②: 104 ③: 6
MB000350	MBDN-150-AMSR-08-S34-N420	8:1	V1,V2:G3/4" C1,C2:3/4" SAE 6000 BR,DR,M1,M2:G1/4"	①②: 380 ③: 30	①②:100-420 ③: 10-60	①②: 82 ③: 6