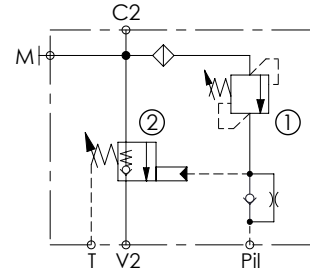
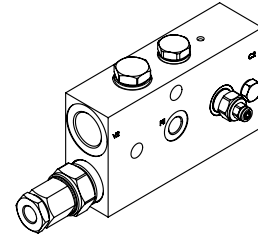
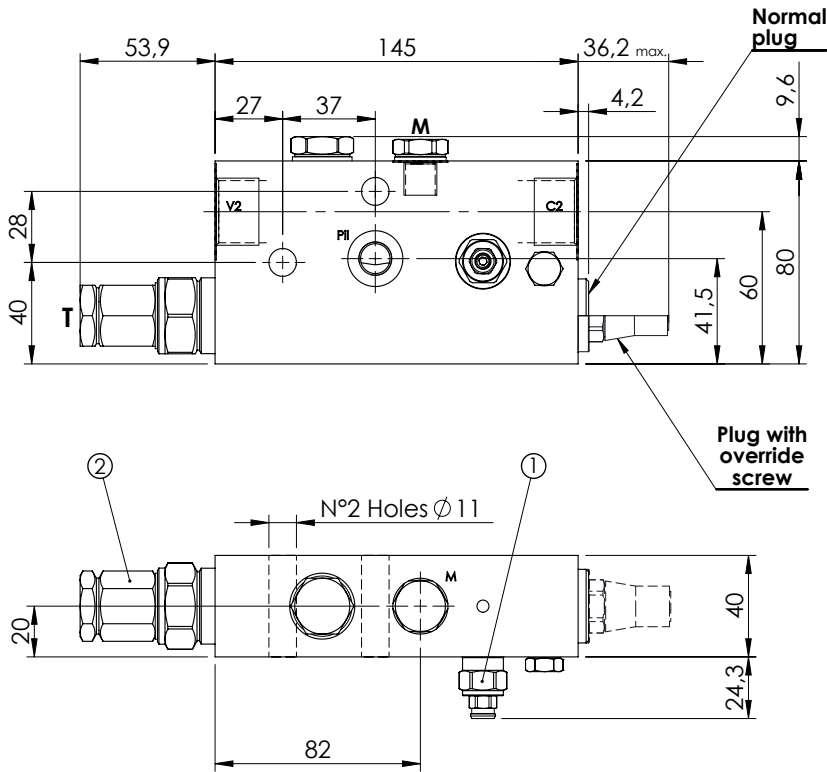


CHECK AND METERING VALVE

**MLST-150-ALGL**

IN LINE VERSION  
LEFT VERSION

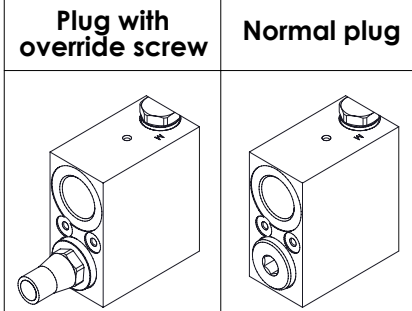
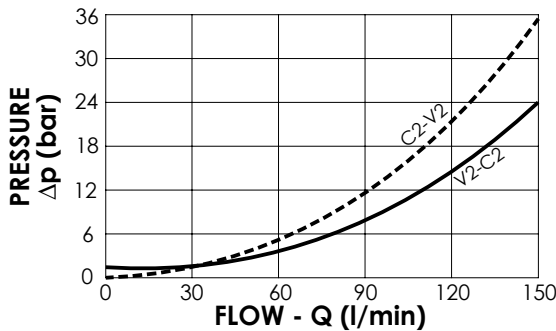


**SPECIFICATIONS**

Max. operating pressure:	420 bar
Rated flow:	150 l/min
Manifold:	Steel
Weight:	3,35 kg

**NOTES**

When correctly adjusted for the specific excavator installation, these valves meet the requirement of ISO 8643



**ORDERING CODES**

Quick code	Description	Main ports size	Plug with override screw	Standard setting (bar)	Adjust. range (bar)	Pressure increase (bar/turn)
ML000121	MLST-150-ALGL-00-G34-N420	V2,C2: G 3/4" Pii,T,M: G 1/4"	No	① 350 Q=5 l/min ② 7.5 Crack. pr.	① 150-420 ② 3-15	① 236 ② 8
ML000010	MLST-150-ALGL-00-G34-E420	V2,C2: G 3/4" Pii,T,M: G 1/4"	Yes	① 350 Q=5 l/min ② 7.5 Crack. pr.	① 150-420 ② 3-15	① 236 ② 8
ML000124	MLST-150-ALGL-00-U11-N420	V2,C2: 1 1/16-12 UNF Pii,T: 9/16-18 UNF M: G 1/4"	No	① 350 Q=5 l/min ② 7.5 Crack. pr.	① 150-420 ② 3-15	① 236 ② 8
ML000030	MLST-150-ALGL-00-U11-E420	V2,C2: 1 1/16-12 UNF Pii,T: 9/16-18 UNF M: G 1/4"	Yes	① 350 Q=5 l/min ② 7.5 Crack. pr.	① 150-420 ② 3-15	① 236 ② 8
ML000125	MLST-150-ALGL-00-J34-N420	V2,C2: 3/4" JIS Pii,T,M: 1/4" JIS	No	① 350 Q=5 l/min ② 7.5 Crack. pr.	① 150-420 ② 3-15	① 236 ② 8
ML000104	MLST-150-ALGL-00-J34-E420	V2,C2: 3/4" JIS Pii,T,M: 1/4" JIS	Yes	① 350 Q=5 l/min ② 7.5 Crack. pr.	① 150-420 ② 3-15	① 236 ② 8