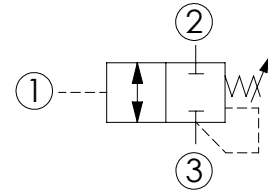
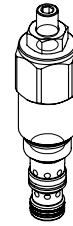
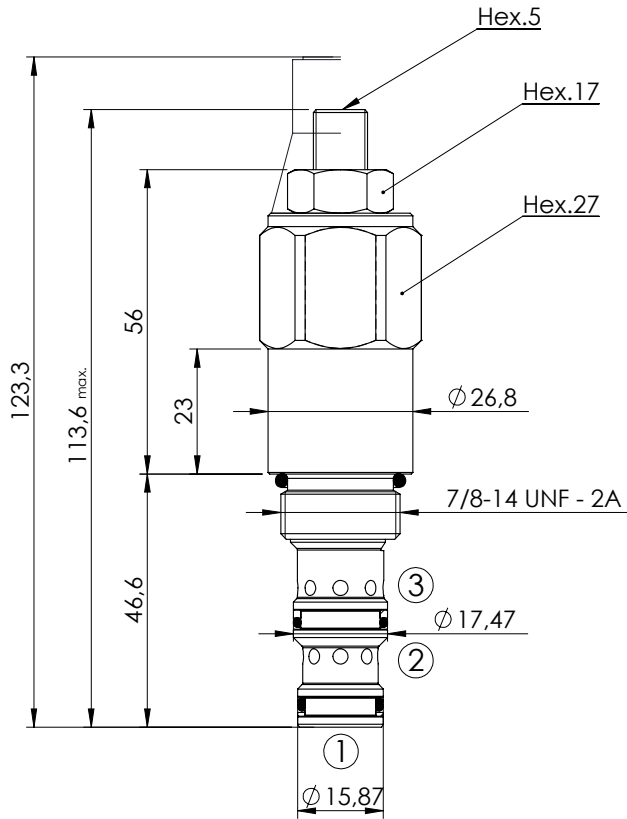


LOGIC ELEMENT

**CDLN-040-CCTC**

**DIRECT ACTING  
SPOOL TYPE**



**SPECIFICATIONS**

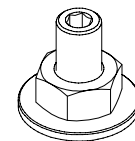
Max. operating pressure:	350 bar
Rated flow:	40 l/min
Cavity:	SAE-10-3N
Weight:	0,29 kg
Installation torque:	50 - 57 Nm
Seal kit:	RB700092

**SEALING CAP**

Ordering code:  
**AT000021**

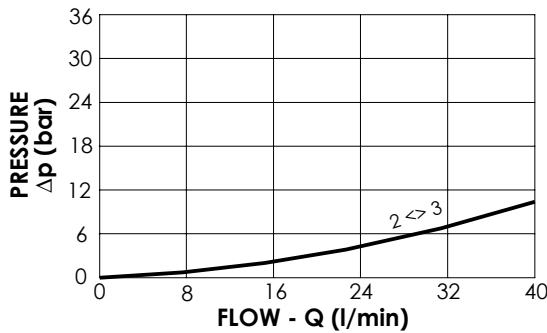


**OPTIONS**



**Adjustment  
with Screw**

Pressure in port 3 is additive to setting 1:1. For back pressure compensated valve consult CDLN-040-CCVC data sheef. No O-ring on 1



**ORDERING CODES**

Quick code	Description	Standard setting (bar, Q=5 l/min)	Adjust. range (bar)	Pressure increase (bar/turn)	Options
CD000121	CDLN-040-CCTC-S10-N060	30	10-60	11	Adjustment with Screw