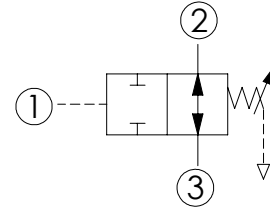
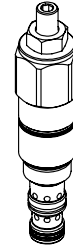
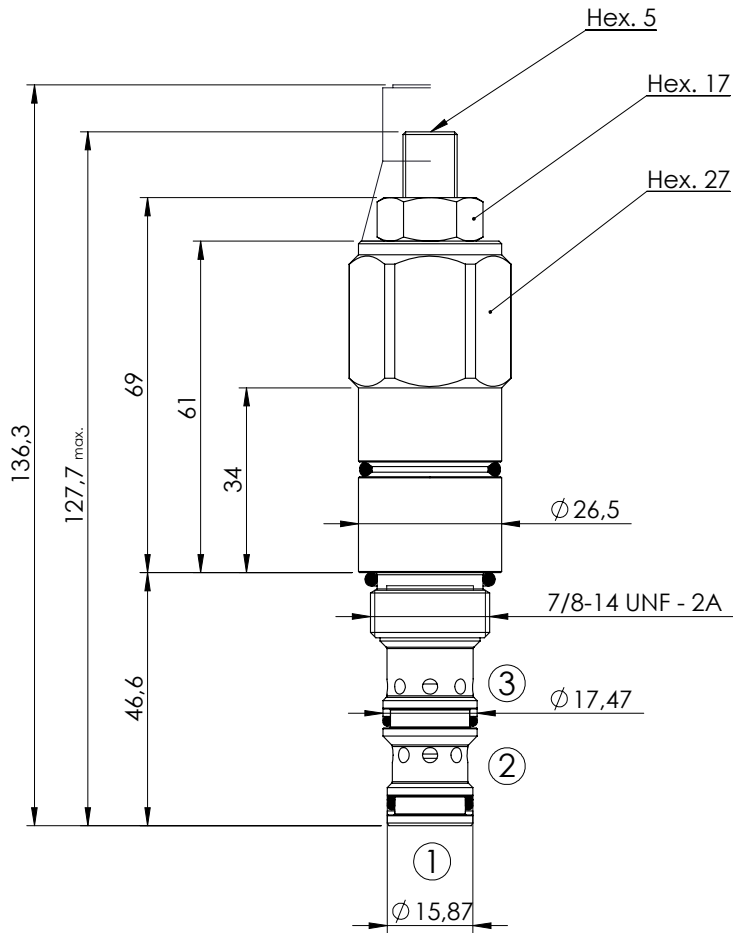


LOGIC ELEMENT

CDLN-040-CCVE

SPOOL TYPE - VENTED
EXTERNAL PILOT

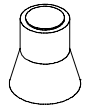


SPECIFICATIONS

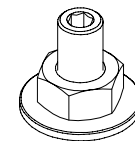
| | |
|--------------------------|------------|
| Max. operating pressure: | 350 bar |
| Rated flow: | 40 l/min |
| Cavity: | SAE-10-3N |
| Weight: | 0,33 kg |
| Installation torque: | 50 - 57 Nm |
| Seal kit: | RB700092 |

SEALING CAP

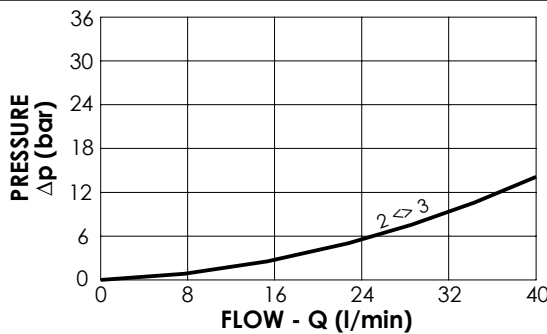
Ordering code:
AT000021



OPTIONS



Adjustment
with Screw



ORDERING CODES

| Quick code | Description | Standard setting (bar, Q=5 l/min) | Adjust. range (bar) | Pressure increase (bar/turn) | Options |
|------------|---------------------------|-----------------------------------|---------------------|------------------------------|-----------------------|
| CD000122 | CDLN-040-CCVE-HN-S10-N120 | 120 | 20-180 | 22 | Adjustment with Screw |
| | | | | | |
| | | | | | |
| | | | | | |
| | | | | | |